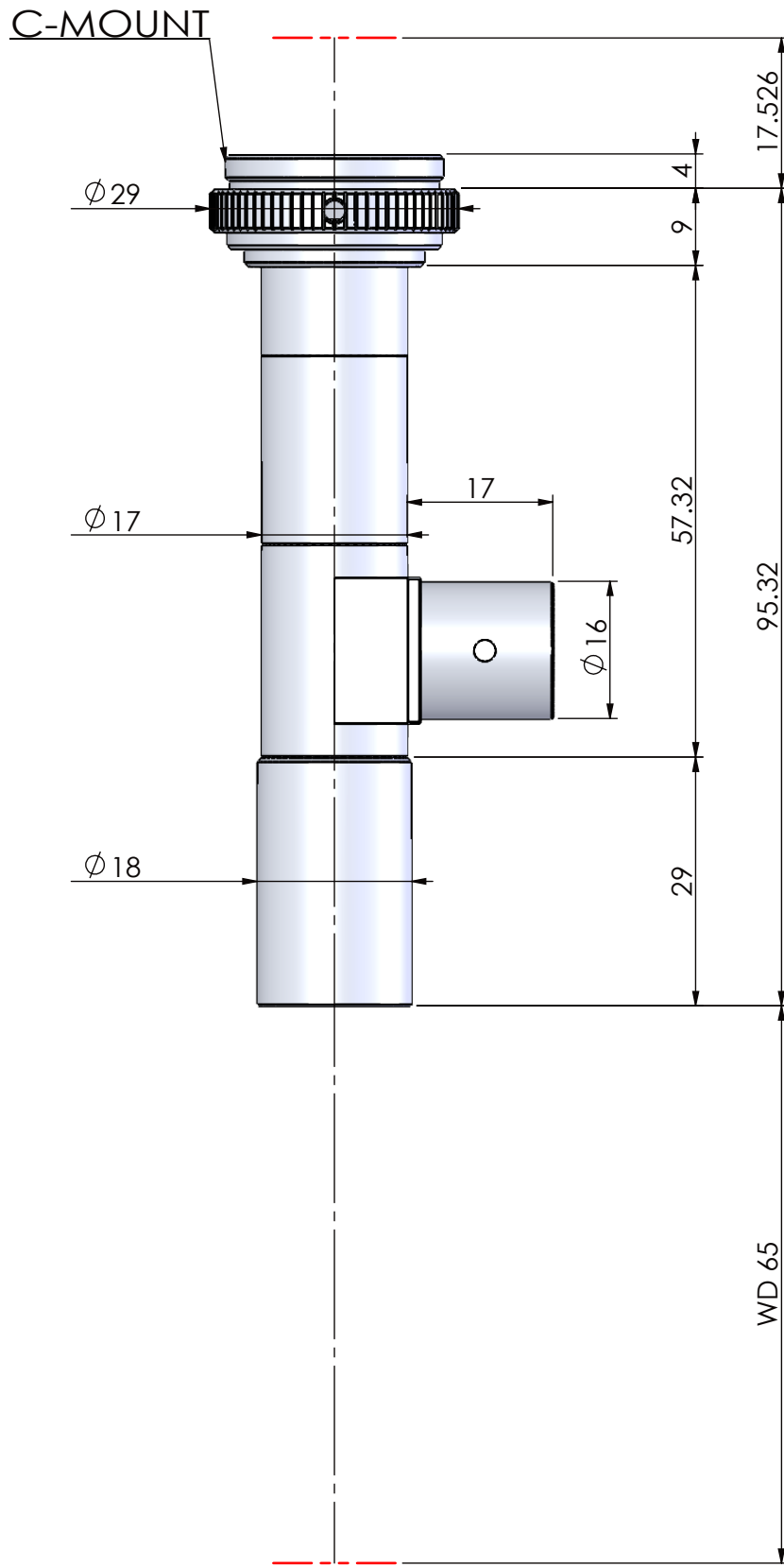


본 도면은 리스광시스템(주)의 자산이므로 허가없이 복제 및 외부 반출을 금함.
 This drawing and ideas are protected by LEES Optical System, Inc.



OPTICAL MAGNIFICATION	WD(mm)	DEPTH OF FIELD	RESOLUTION	NA	PARAXIAL WORKING F/#	F.O.V.	MOUNT
3.0X	65	± 0.088 mm	4.47 μ m	0.075	19.9	H2.9 X V2.2(2/3") H2.1 X V1.6(1/2")	C-MOUNT

CORPORATE NAME	MODEL (ON/COAXIAL)	SCALE
 SINCE 1999	TITLE	1.2:1
	TLW 65SERIES	DIMENSIONS
	TLW65D - 3.0X	mm