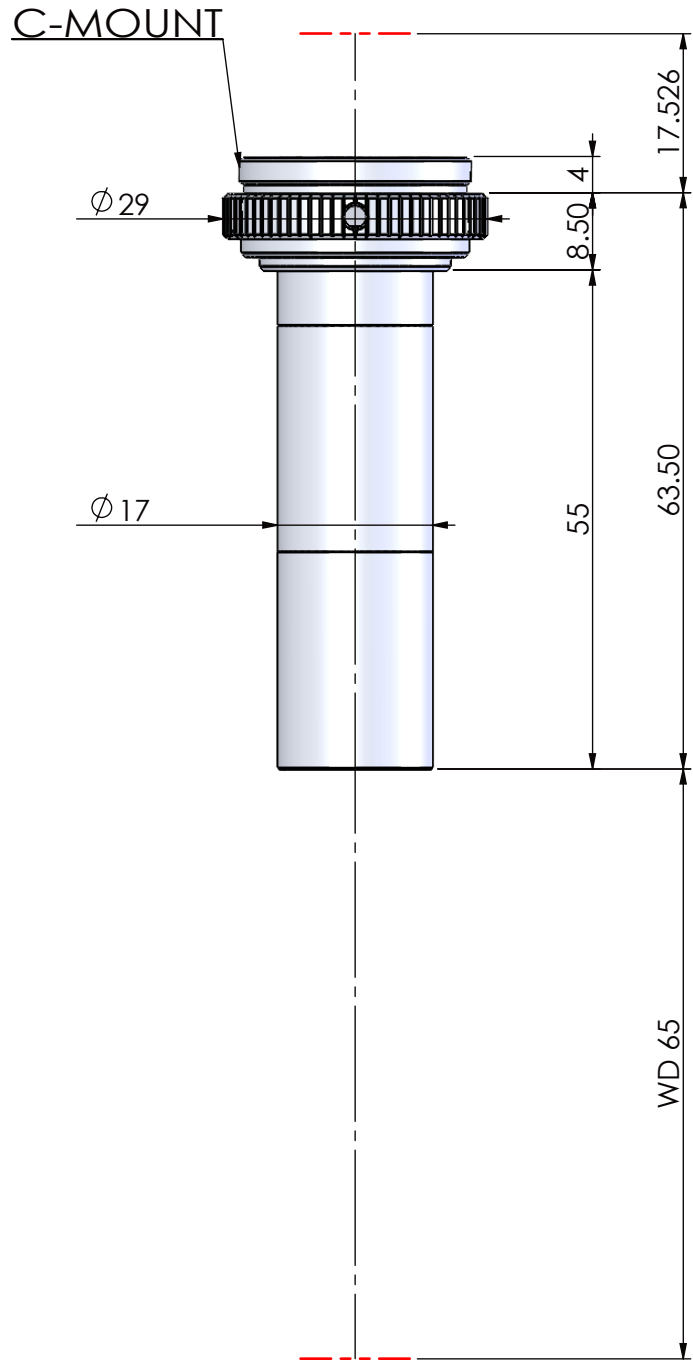


본 도면은 리스광시스템(주)의 자산이므로 허가없이 복제 및 외부 반출을 금함.
 This drawing and ideas are protected by LEES Optical System, Inc.



OPTICAL MAGNIFICATION	WD(mm)	DEPTH OF FIELD	RESOLUTION	NA	PARAXIAL WORKING F/#	F.O.V.	MOUNT
1.5X	65	$\pm 0.337\text{mm}$	7.2 μm	0.047	15.7	H4.26 X V3.2(1/2") H3.2 X V 2.4(1/3")	C-MOUNT

CORPORATE NAME		MODEL (ON/COAXIAL)		SCALE
 SINCE 1999		TITLE		1.2:1
		TLW 65SERIES		DIMENSIONS
		TLW65 - 1.5X		mm