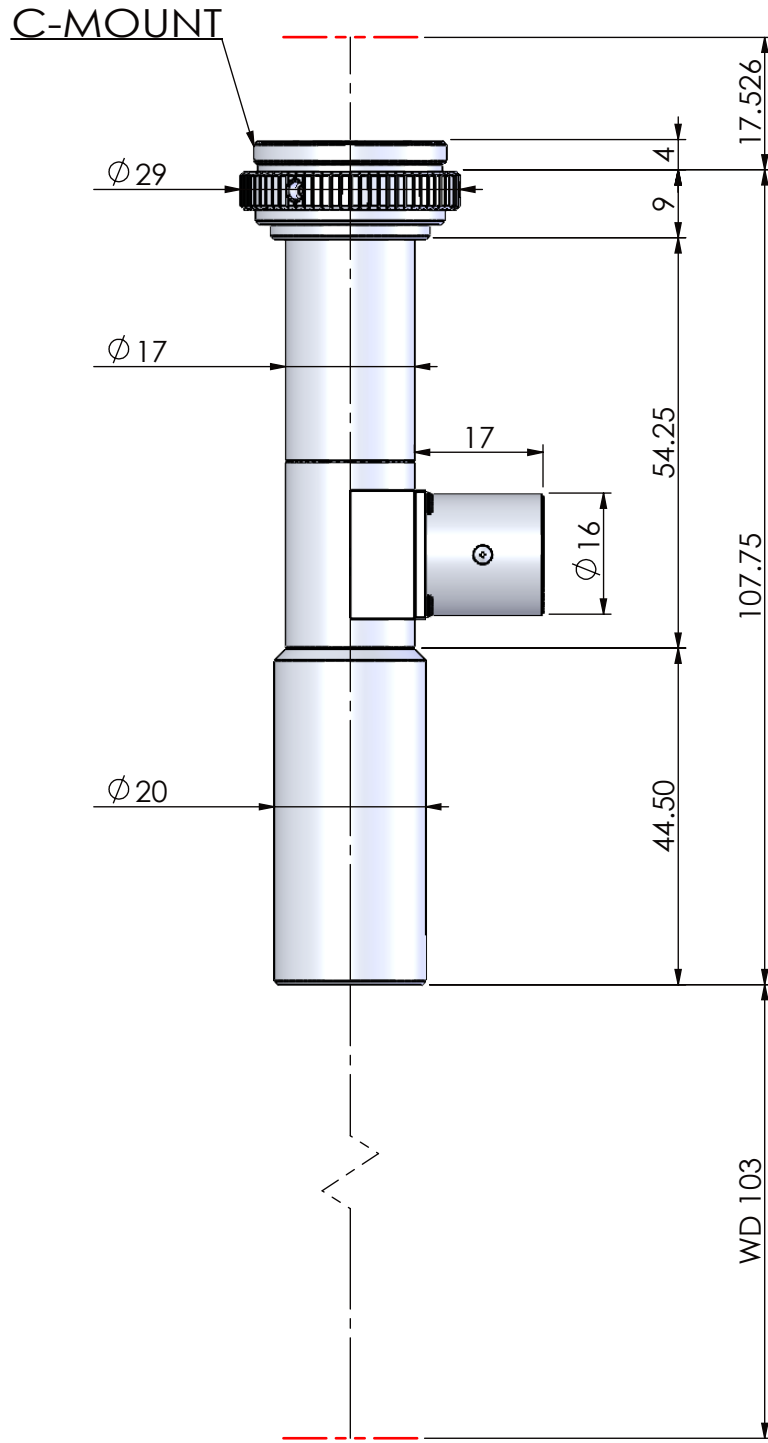


본 도면은 리스광시스템(주)의 자산이므로 허가없이 복제 및 외부 반출을 금함.  
 This drawing and ideas are protected by LEES Optical System, Inc.



OPTICAL MAGNIFICATION	WD(mm)	DEPTH OF FIELD	RESOLUTION	NA	PARAXIAL WORKING F/#	F.O.V.	MOUNT
1.2X	103	$\pm 0.556$ mm	10.1 $\mu$ m	0.03	18	H5.33 X V4.0 (1/2") H4.0 X V3.0(1/3")	C-MOUNT

CORPORATE NAME	MODEL (ON/COAXIAL)	SCALE
 <b>SINCE 1999</b>	TITLE	1:1
	TLW 110SERIES	DIMENSIONS
	TLW110D-1.2X	mm