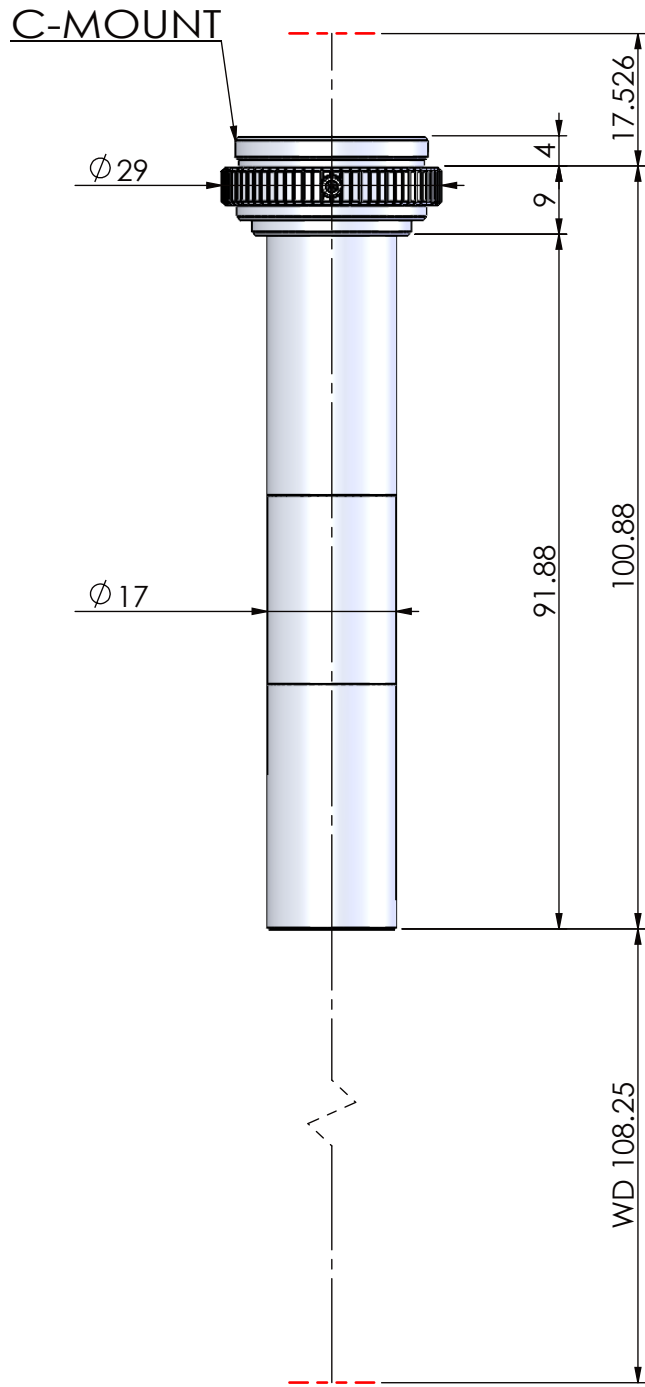


본 도면은 리스광시스템(주)의 자산이므로 허가없이 복제 및 외부 반출을 금함.
 This drawing and ideas are protected by LEES Optical System, Inc.



| OPTICAL MAGNIFICATION | WD(mm) | DEPTH OF FIELD | RESOLUTION | NA | PARAXIAL WORKING F/# | F.O.V. | MOUNT |
|-----------------------|--------|----------------|-------------|-------|----------------------|--|---------|
| 2.5X | 110 | ± 0.174 mm | 7.4 μ m | 0.046 | 27.1 | H2.56 X V1.92(1/2") H1.92 X V1.44(1/3") | C-MOUNT |

| CORPORATE NAME | MODEL (ON/COAXIAL) | SCALE |
|--|--------------------|------------|
|  SINCE 1999 | TITLE | 1:1 |
| | TLW 110SERIES | DIMENSIONS |
| | TLW110-2.5X | mm |