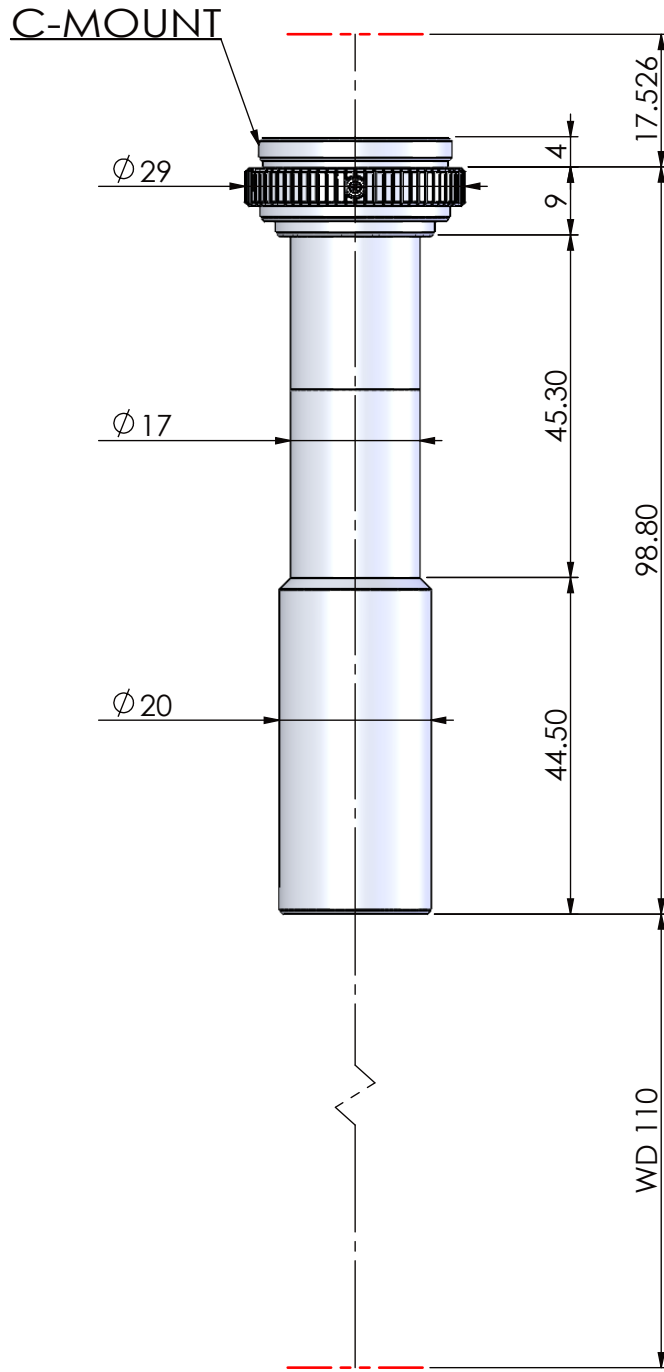


본 도면은 리스광시스템(주)의 자산이므로 허가없이 복제 및 외부 반출을 금함.
 This drawing and ideas are protected by LEES Optical System, Inc.



OPTICAL MAGNIFICATION	WD(mm)	DEPTH OF FIELD	RESOLUTION	NA	PARAXIAL WORKING F/#	F.O.V.	MOUNT
1.0X	110	±0.646 mm	11um	0.031	16.1	H6.4 X V4.8(1/2") H4.8 X V3.6(1/3")	C-MOUNT

CORPORATE NAME		MODEL (ON/COAXIAL)		SCALE
 SINCE 1999		TITLE		1:1
		TLW 110SERIES		DIMENSIONS
		TLW110-1.0X		mm