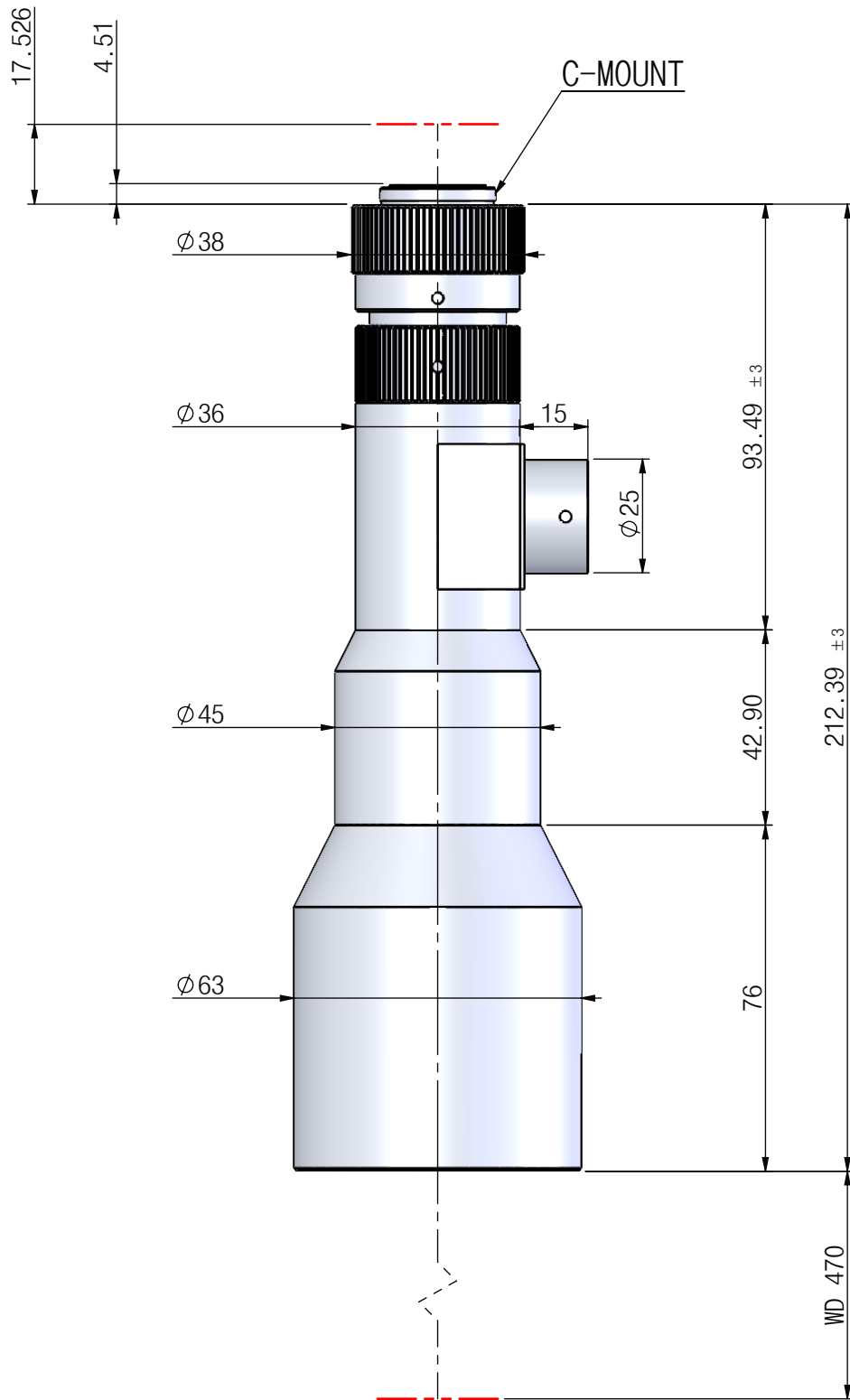


본 도면은 리스광시스템(주)의 자산이므로 허가없이 복제 및 외부 반출을 금함.
 This drawing and ideas are protected by LEES Optical System, Inc.



OPTICAL MAGNIFICATION	WD(mm)	DEPTH OF FIELD	RESOLUTION	NA	PARAXIAL WORKING F/#	F.O.V.	MOUNT
0.5X	470	±1.28mm	11.2um	0.03	8	H17.6 X V13.2(2/3") H12.8 X V9.6(1/2")	C-MOUNT

CORPORATE NAME		MODEL (ON/COAXIAL)		SCALE
		TITLE		1:1.5
				TLW470D-0.5X
				mm