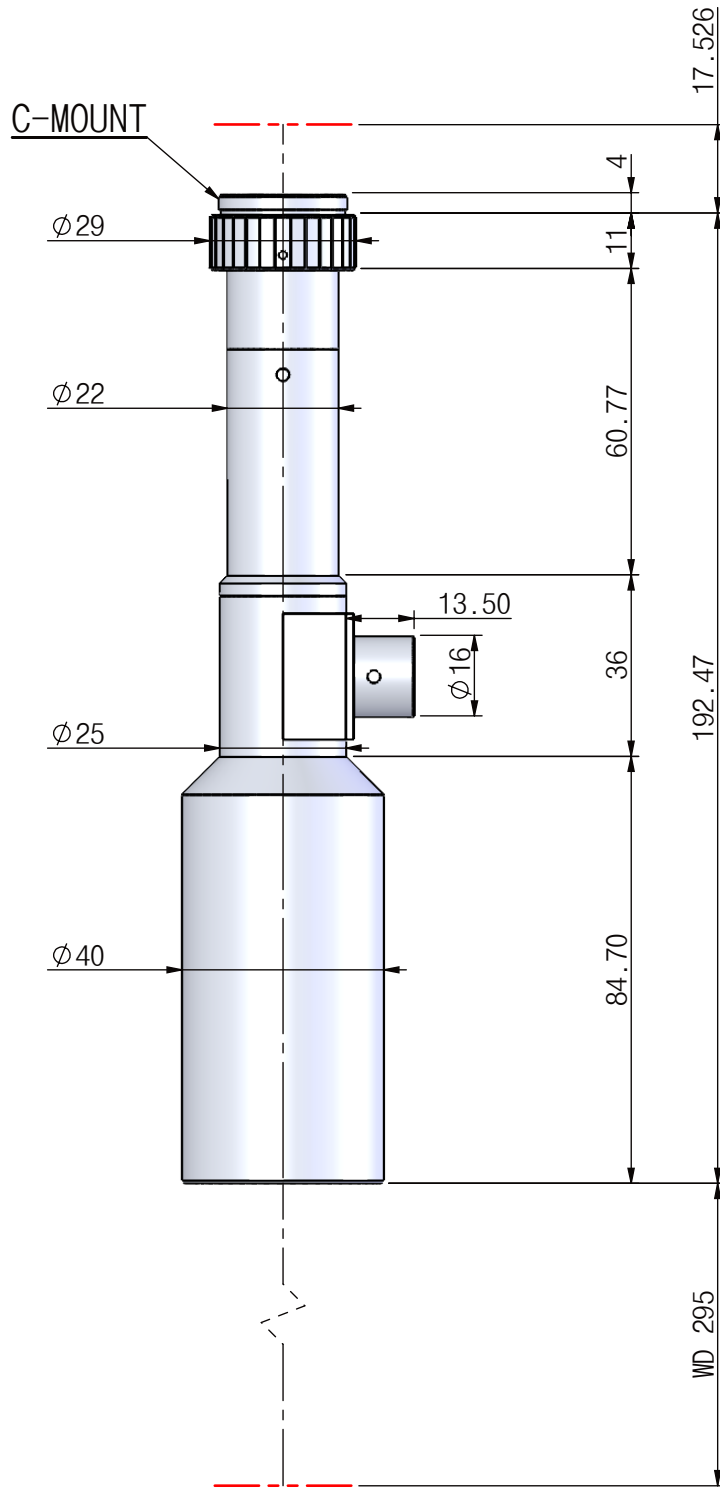


본 도면은 리스광시스템(주)의 자산이므로 허가없이 복제 및 외부 반출을 금함.
 This drawing and ideas are protected by LEES Optical System, Inc.



OPTICAL MAGNIFICATION	WD(mm)	DEPTH OF FIELD	RESOLUTION	NA	PARAXIAL WORKING F/#	F.O.V.	MOUNT
1.4X	295	±0.317 mm	7.5um	0.045	15.6	H6.28 X V4.71(2/3") H4.57 X V3.42(1/2")	C-MOUNT

CORPORATE NAME		MODEL (ON/COAXIAL)		SCALE
		TITLE TLW295D-1.4X		1:1.5
				DIMENSIONS
				mm