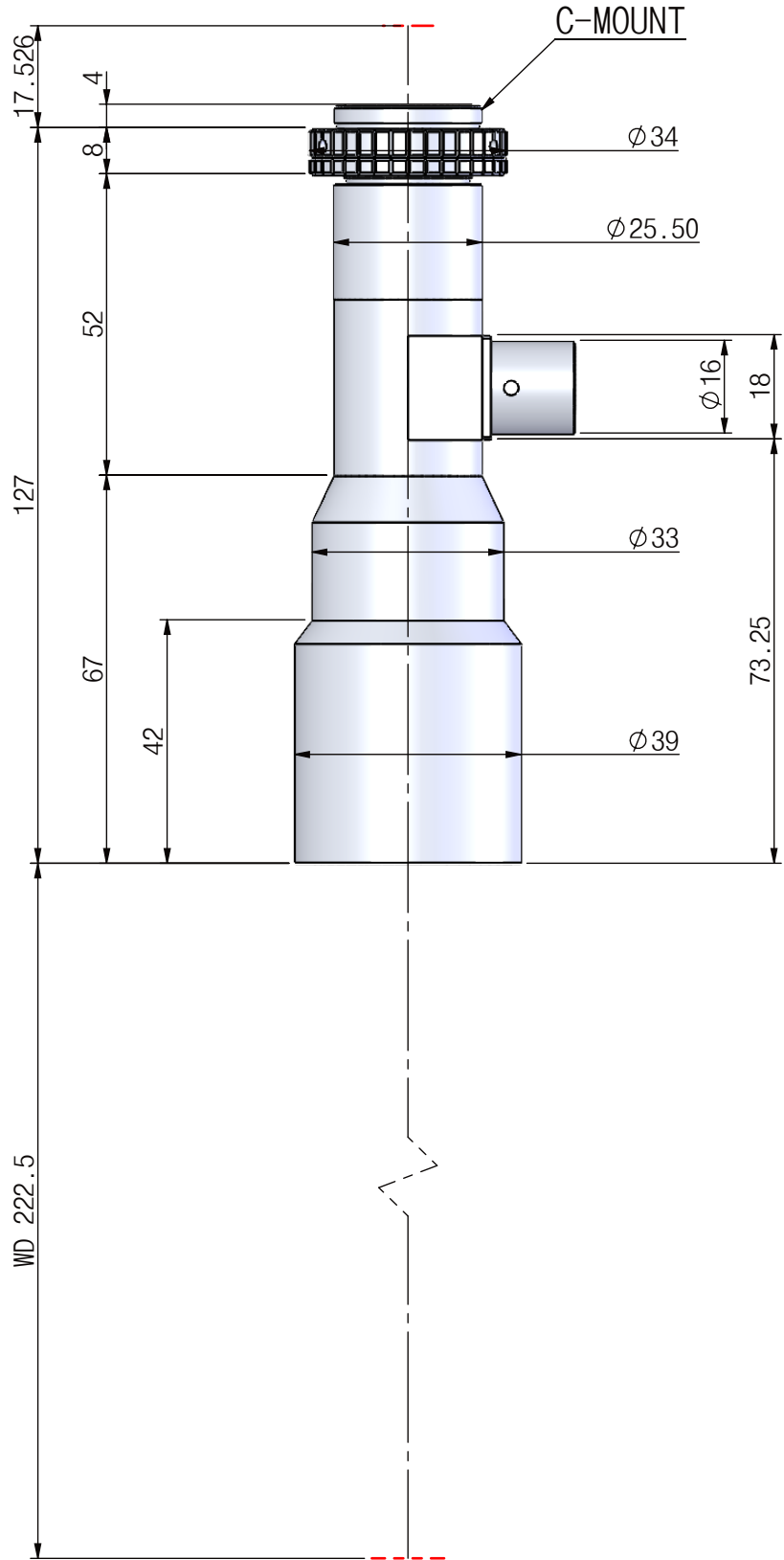


본 도면은 리스광시스템(주)의 자산이므로 허가없이 복제 및 외부 반출을 금함.
 This drawing and ideas are protected by LEES Optical System, Inc.



| OPTICAL MAGNIFICATION | WD(mm) | DEPTH OF FIELD | RESOLUTION | NA | PARAXIAL WORKING F/# | F.O.V. | MOUNT |
|-----------------------|--------|----------------|------------|------|----------------------|-------------------------------------|---------|
| 0.7X | 222.5 | ±0.714 mm | 8.38 μm | 0.04 | 8.75 | 12.57(H) x 9.42(V) x 15.71(D) mm | C-mount |

| CORPORATE NAME | MODEL (ON/COAXIAL) | SCALE |
|----------------|--------------------|------------------|
| | TITLE | 1:1.25 |
| | TLW220D-0.7X | DIMENSIONS |
| | | mm ^{mm} |