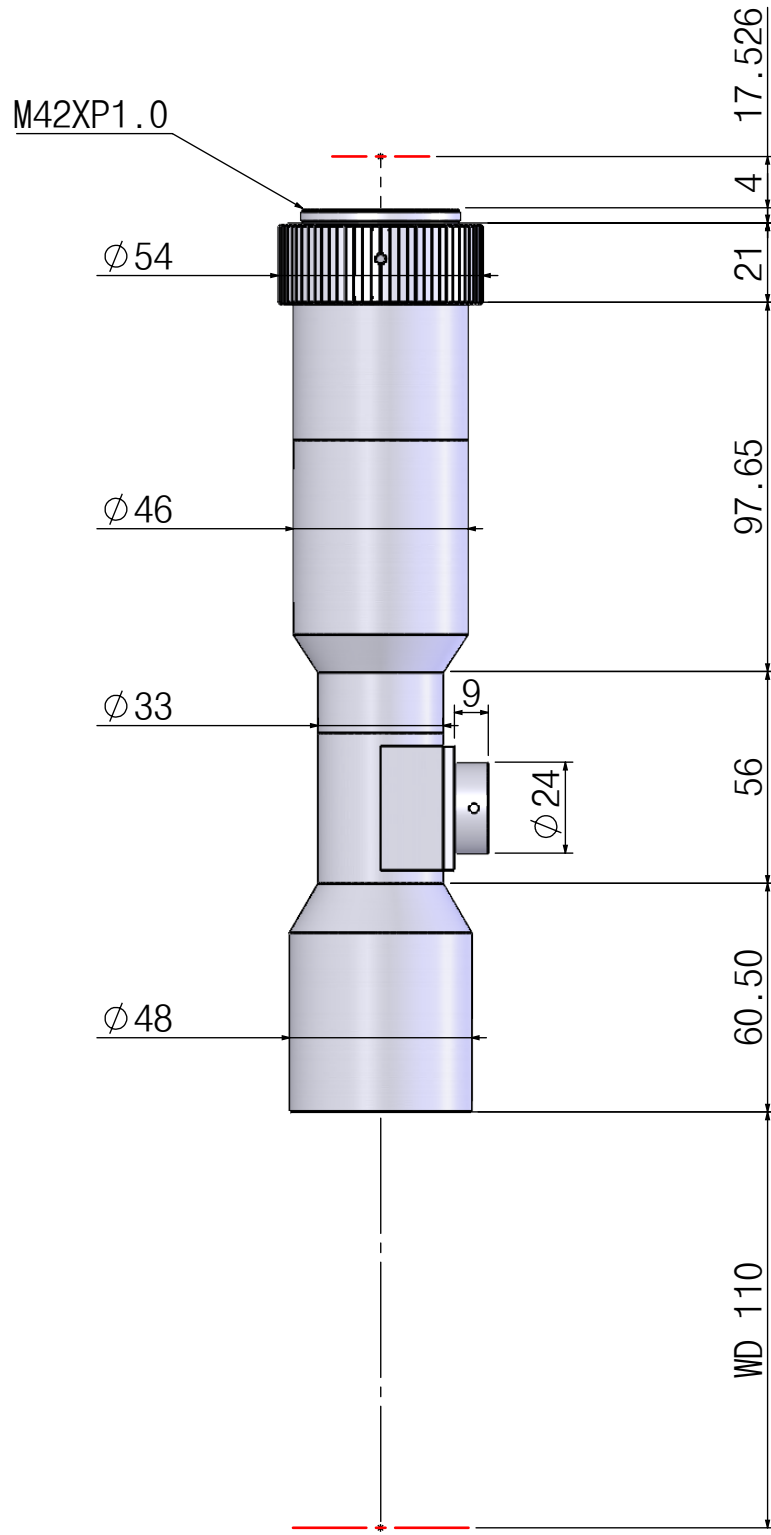


본 도면은 리스광시스템(주)의 자산이므로 허가없이 복제 및 외부 반출을 금함.
 This drawing and ideas are protected by LEES Optical System, Inc.



OPTICAL MAGNIFICATION	WD(mm)	DEPTH OF FIELD	RESOLUTION	NA	PARAXIAL WORKING F/#	F.O.V.	MOUNT
1.4X	130.8	±0.147mm at PCC 22um	5um	0.068	10.3	20.48mm, 4K LINE SCAN	M42-MOUNT

CORPORATE NAME		MODEL (ON/COAXIAL)		SCALE
		TITLE		1:2
		TLW 130 SERIES		DIMENSIONS
		TLW130D-1.4X-4K		mm