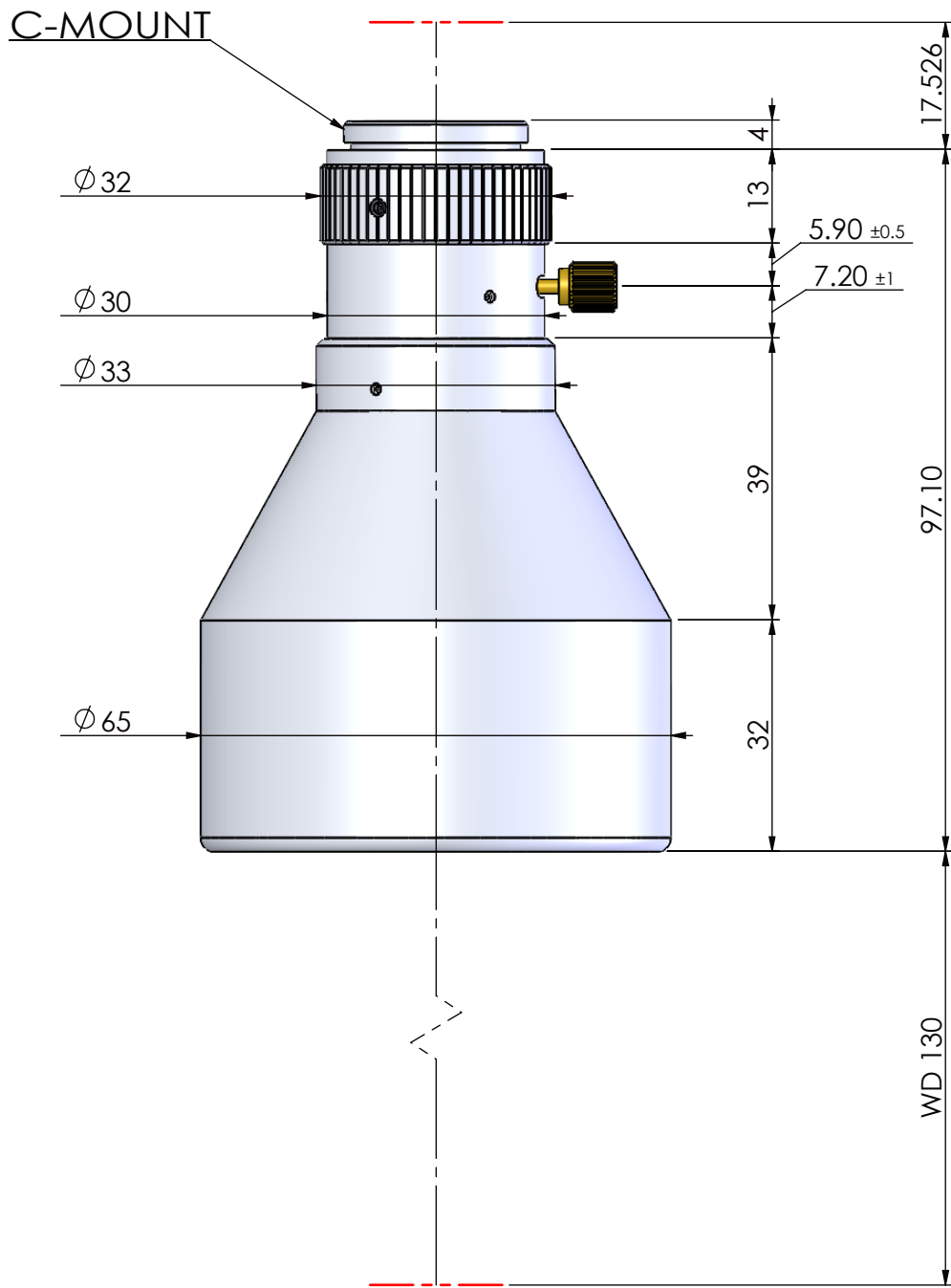


본 도면은 리스광시스템(주)의 자산이므로 허가없이 복제 및 외부 반출을 금함.
 This drawing and ideas are protected by LEES Optical System, Inc.



OPTICAL MAGNIFICATION	WD(mm)	DEPTH OF FIELD	RESOLUTION	NA	PARAXIAL WORKING F/#	F.O.V.	MOUNT
0.165X	129	± 10.186 mm	28.2um	0.0119	7.1	H38.8 X V29.0(1/2") H29.0 X V21.8(1/3")	C-MOUNT

CORPORATE NAME	MODEL (ON/COAXIAL)	SCALE
 SINCE 1999	TITLE	1:1
	TLW 130 SERIES	DIMENSIONS
	TLW130-0.165X	mm