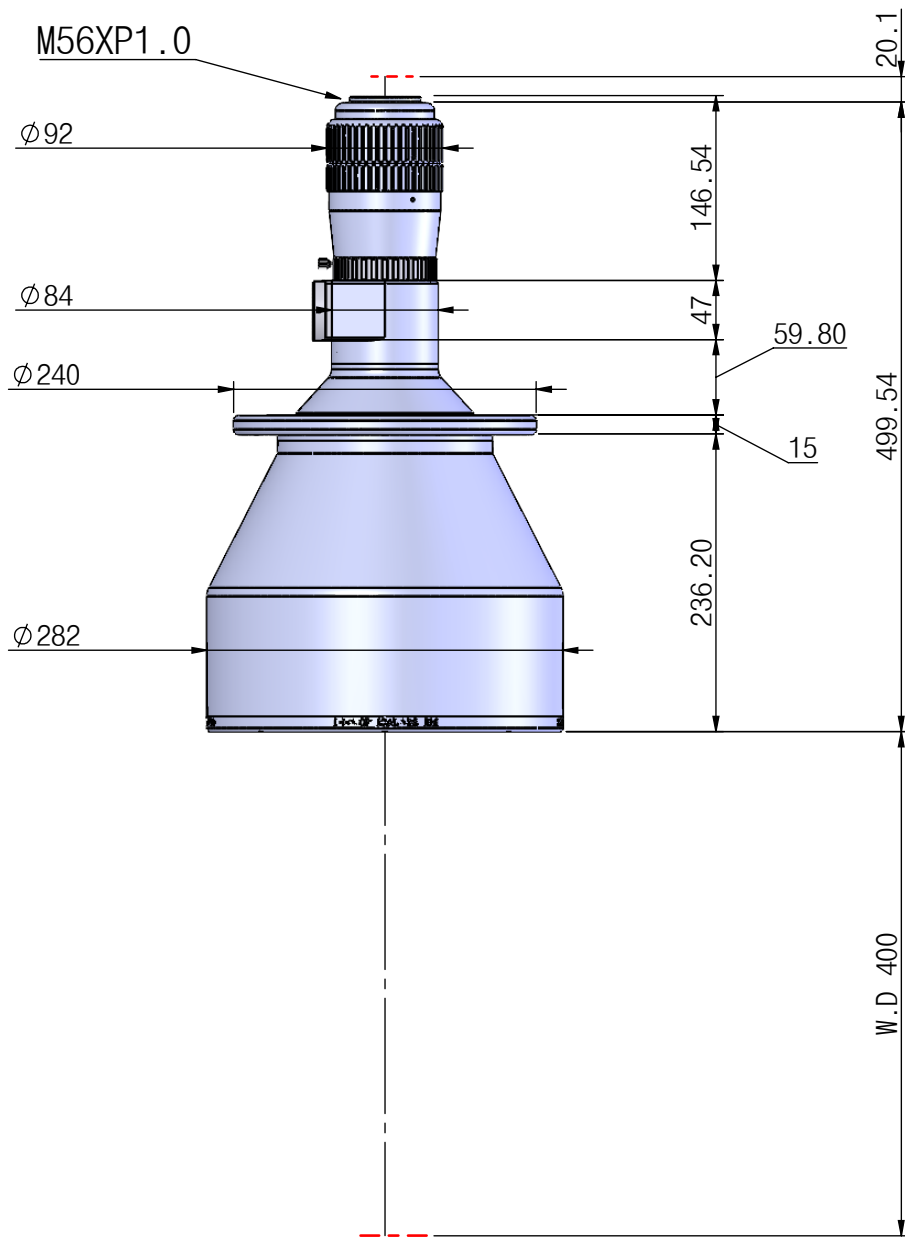


본 도면은 리스광시스템(주)의 자산이므로 허가없이 복제 및 외부 반출을 금함.
 This drawing and ideas are protected by LEES Optical System, Inc.



OPTICAL MAGNIFICATION	WD(mm)	DEPTH OF FIELD	RESOLUTION	NA	PARAXIAL WORKING F/#	F.O.V.	MOUNT
0.15X	400mm	±6MM	33.55um	0.01	7.5	153.6mmX153.6mm, 25M	M56XP1.0

CORPORATE NAME		MODEL (ON/COAXIAL)		SCALE
		TITLE		1:6
		LP16001		DIMENSIONS
		TLW400D-0.15X-25M		mm