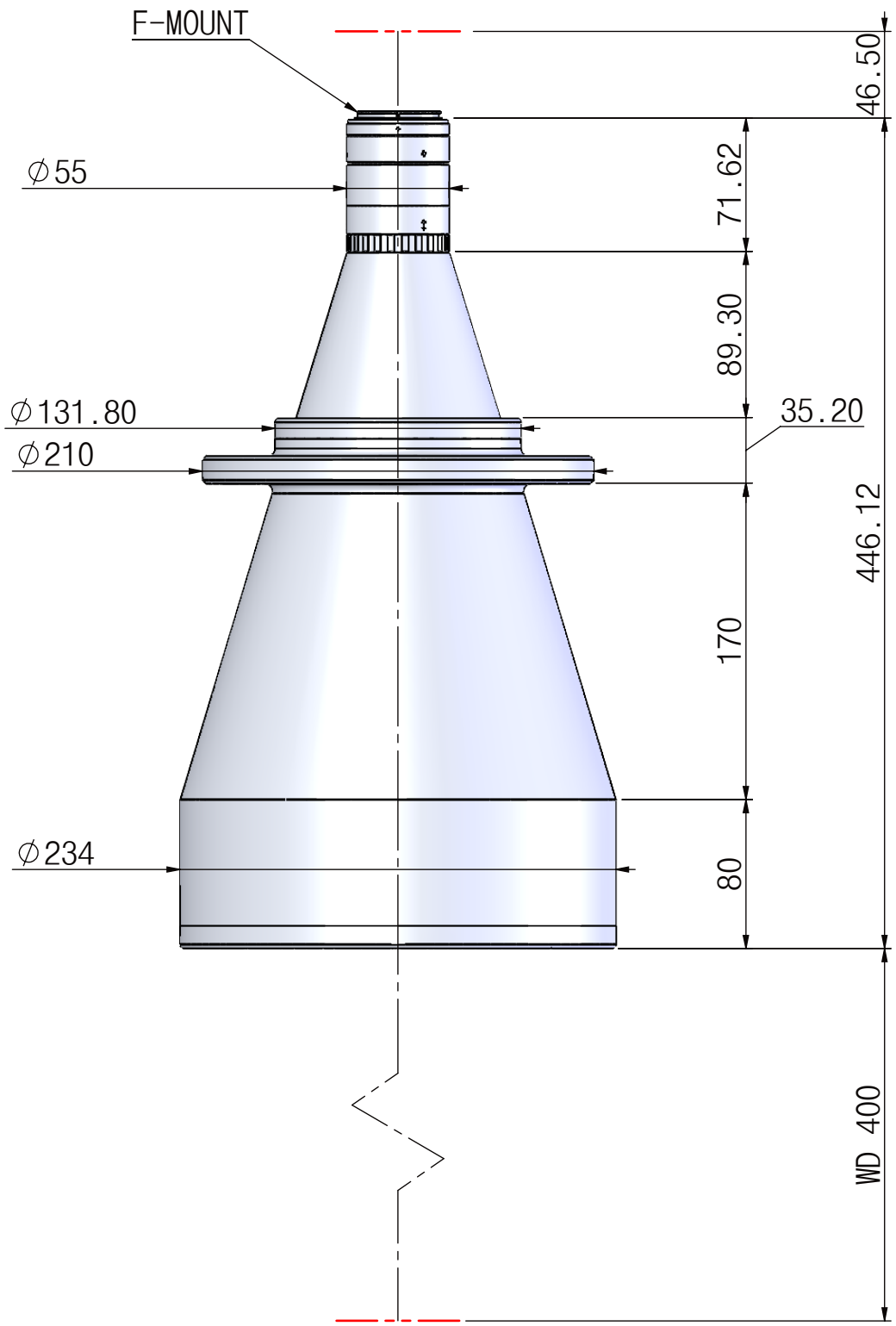



본 도면은 리스광시스템(주)의 자산이므로 허가없이 복제 및 외부 반출을 금함.
 This drawing and ideas are protected by LEES Optical System, Inc.



OPTICAL MAGNIFICATION	WD(mm)	DEPTH OF FIELD	RESOLUTION	NA	PARAXIAL WORKING F/#	F.O.V.	MOUNT
0.185X	400	±3.681mm	25.9um	0.013	7	H124.5 X V124.5 X D176.2	F-MOUNT

CORPORATE NAME		MODEL (ON/COAXIAL)		SCALE
 SINCE 1999		TITLE		1:3.5
		25MEGA TELECENTRIC LENS		DIMENSIONS
		TLW400-0.185X-25MEGA		mm