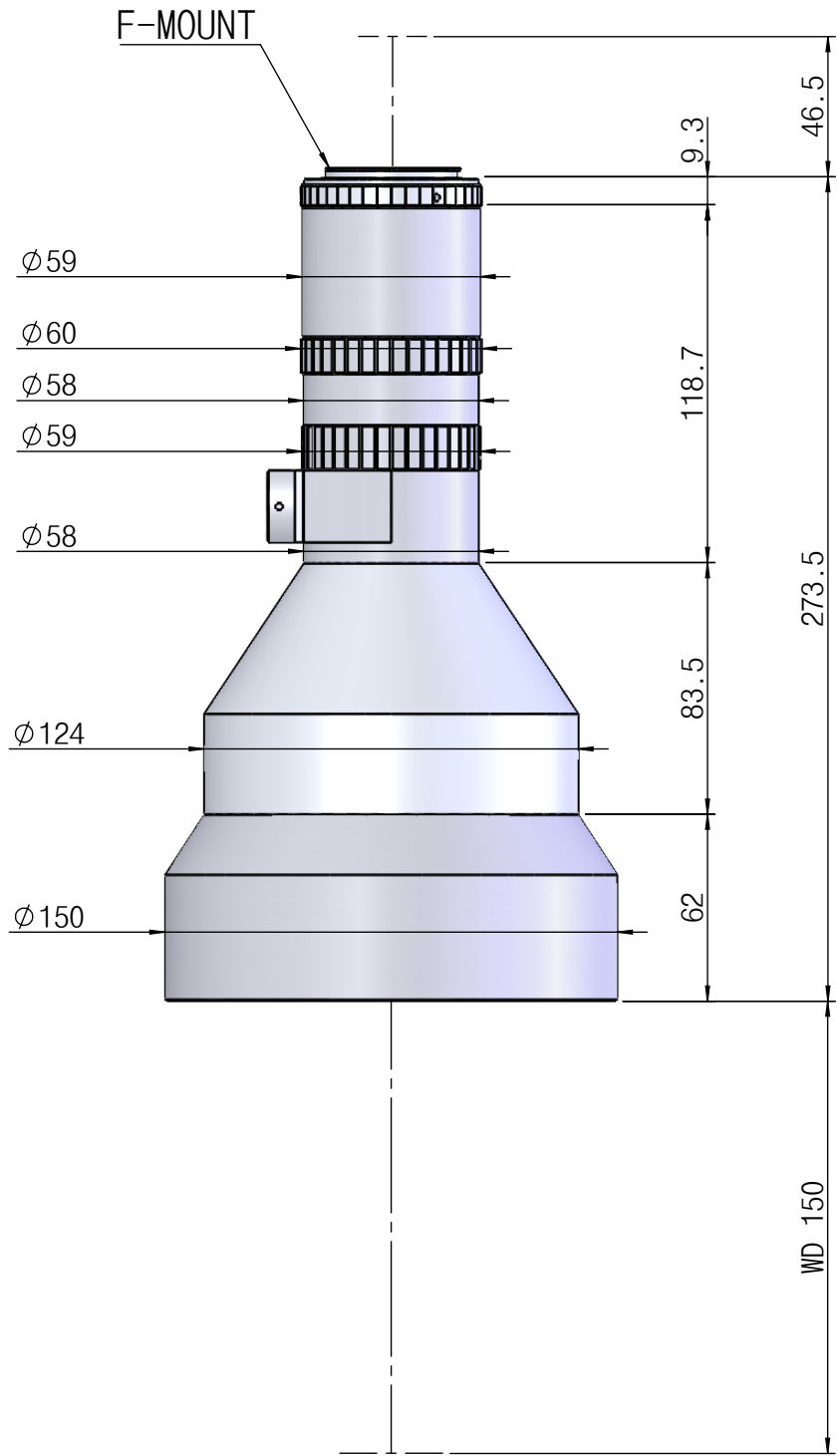


본 도면은 리스광시스템(주)의 자산이므로 허가없이 복제 및 외부 반출을 금함.
 This drawing and ideas are protected by LEES Optical System, Inc.



OPTICAL MAGNIFICATION	WD(mm)	DEPTH OF FIELD	RESOLUTION	NA	PARAXIAL WORKING F/#	F.O.V.	MOUNT
0.28X	150	±1.96mm at PCC 22um	16.77um	0.02	7.0	96.17 X 64.11 X 115.57(mm)	F-MOUNT

CORPORATE NAME		MODEL (ON/COAXIAL)		SCALE
 SINCE 1999		TITLE		1:2.5
		TLW150D-0.28X-16M		DIMENSIONS
		A17072-A000-R01		mm