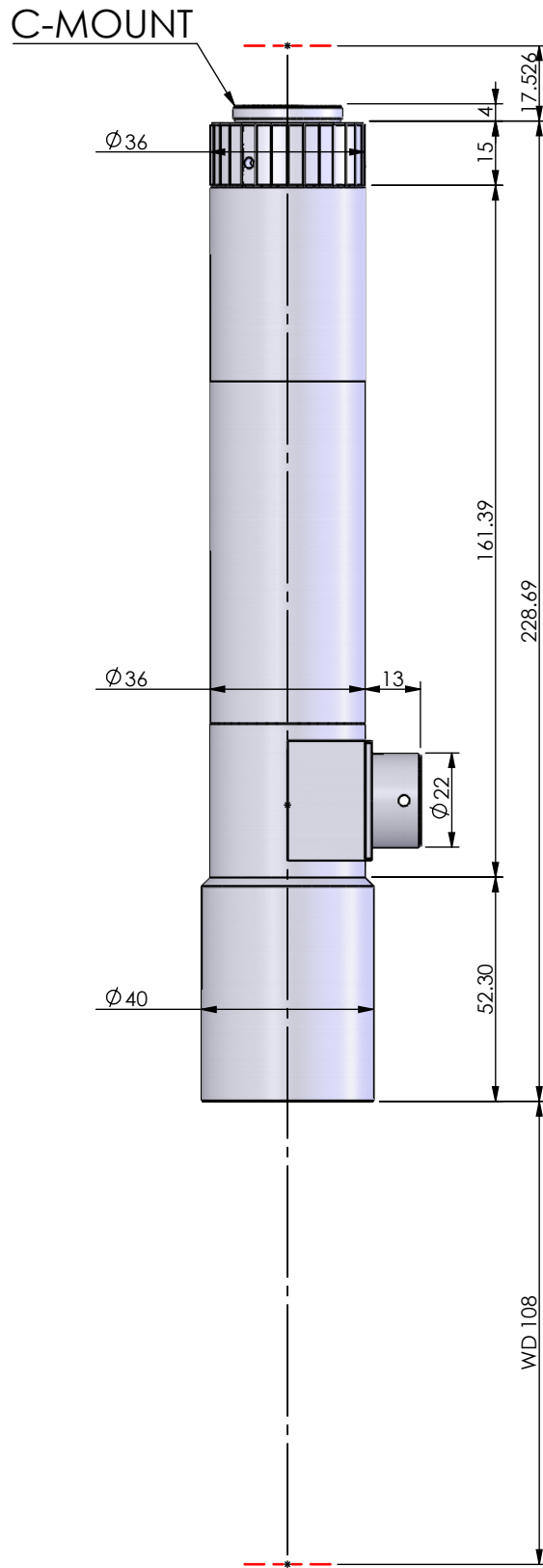



본 도면은 리스광시스템(주)의 자산이므로 허가없이 복제 및 외부 반출을 금함.
 This drawing and ideas are protected by LEES Optical System, Inc.



OPTICAL MAGNIFICATION	WD(mm)	DEPTH OF FIELD	RESOLUTION	NA	PARAXIAL WORKING F/#	F.O.V.	MOUNT
5.0X	108	±0.02mm	3.35 um	0.1	25	2.56 mm(H) X 2.56 mm(V), 1.1"	C-MOUNT

CORPORATE NAME	MODEL (ON/COAXIAL)	SCALE
 SINCE 1999	TITLE	1:5
	TLW110-1.1" SERIES	DIMENSIONS
	TLW110D-5.0X-1.1"	mm