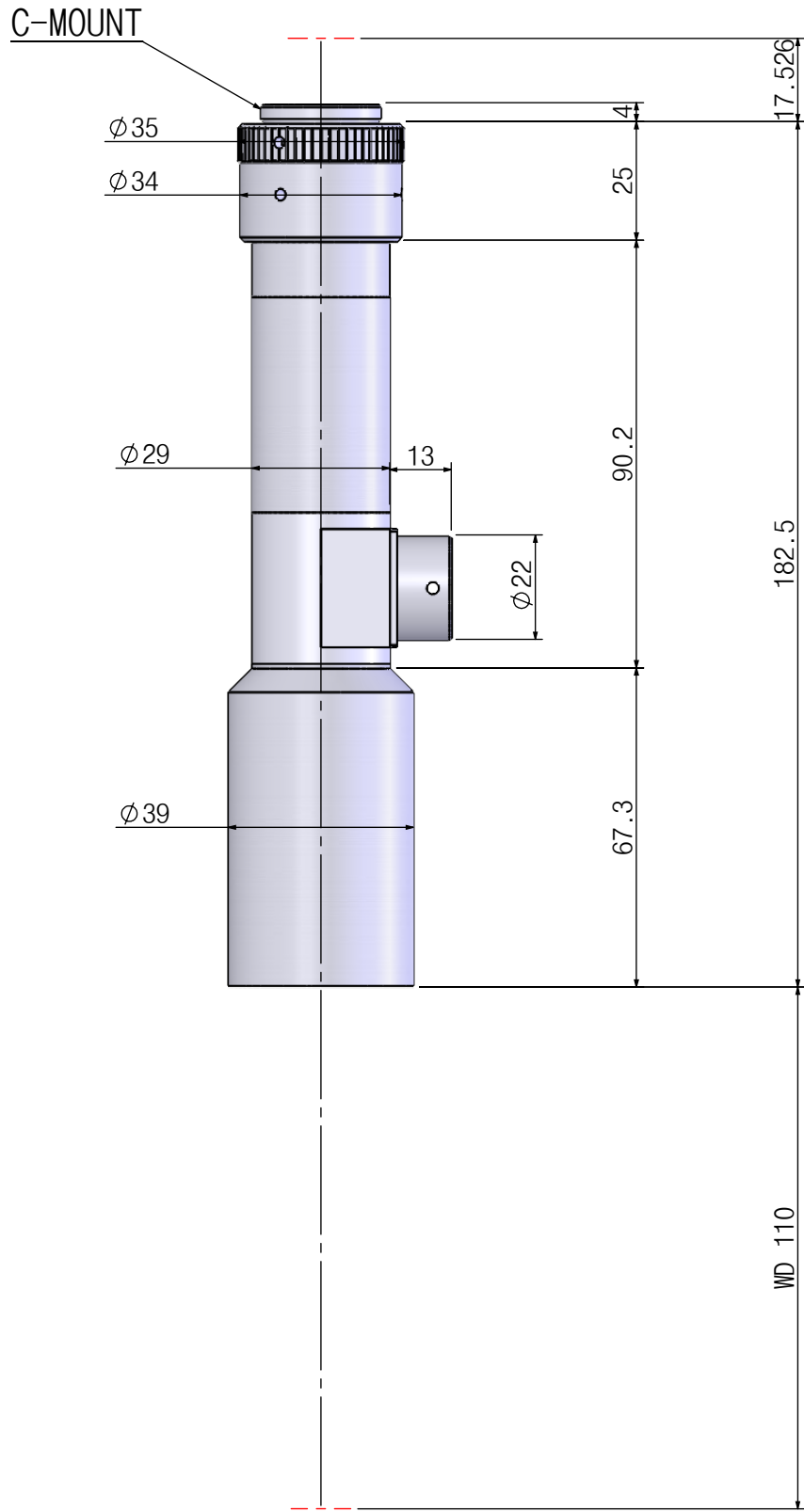


본 도면은 리스광시스템(주)의 자산이므로 허가없이 복제 및 외부 반출을 금함.
 This drawing and ideas are protected by LEES Optical System, Inc.



OPTICAL MAGNIFICATION	WD(mm)	DEPTH OF FIELD	RESOLUTION	NA	PARAXIAL WORKING F/#	F.O.V.	MOUNT
1.0X	110	±0.150mm	5.24 um	0.064	7.8	12.8 mm (H) X 12.8 mm(V), 1.1"	C-MOUNT

CORPORATE NAME	MODEL (ON/COAXIAL)	SCALE
 SINCE 1999	TITLE	1:1.5
	TLW110-1.1" SERIES	DIMENSIONS
	TLW110D-1.0X-1.1"	mm