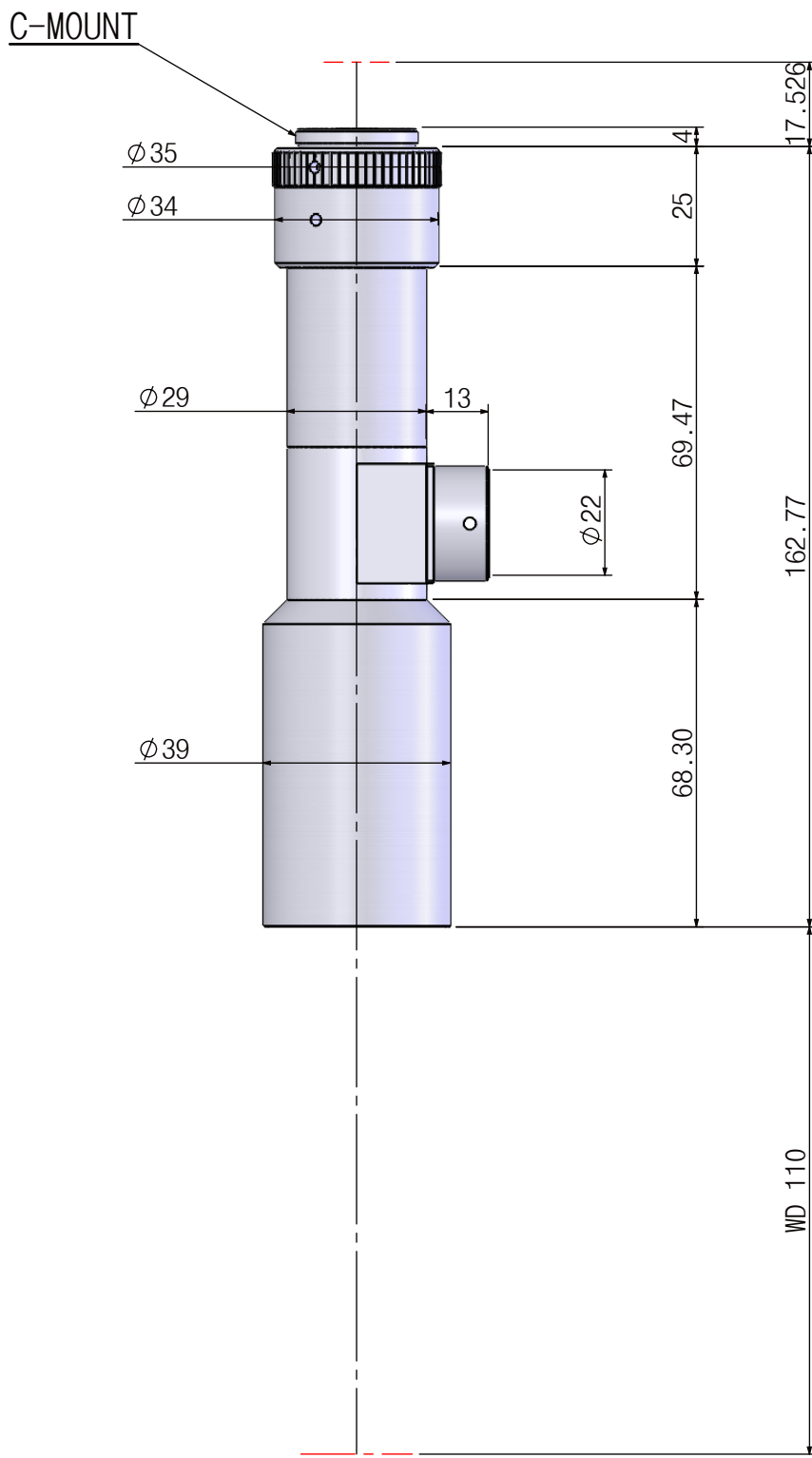


본 도면은 리스광시스템(주)의 자산이므로 허가없이 복제 및 외부 반출을 금함.
 This drawing and ideas are protected by LEES Optical System, Inc.



OPTICAL MAGNIFICATION	WD(mm)	DEPTH OF FIELD	RESOLUTION	NA	PARAXIAL WORKING F/#	F.O.V.	MOUNT
0.8X	110	±0.250mm	6.71 um	0.05	8.0	16 mm (H) X 16 mm(V), 1.1"	C-MOUNT

CORPORATE NAME		MODEL (ON/COAXIAL)		SCALE
		TITLE		1:1.5
				TLW110-1.1" SERIES
		TLW110D-0.8X-1.1"		mm