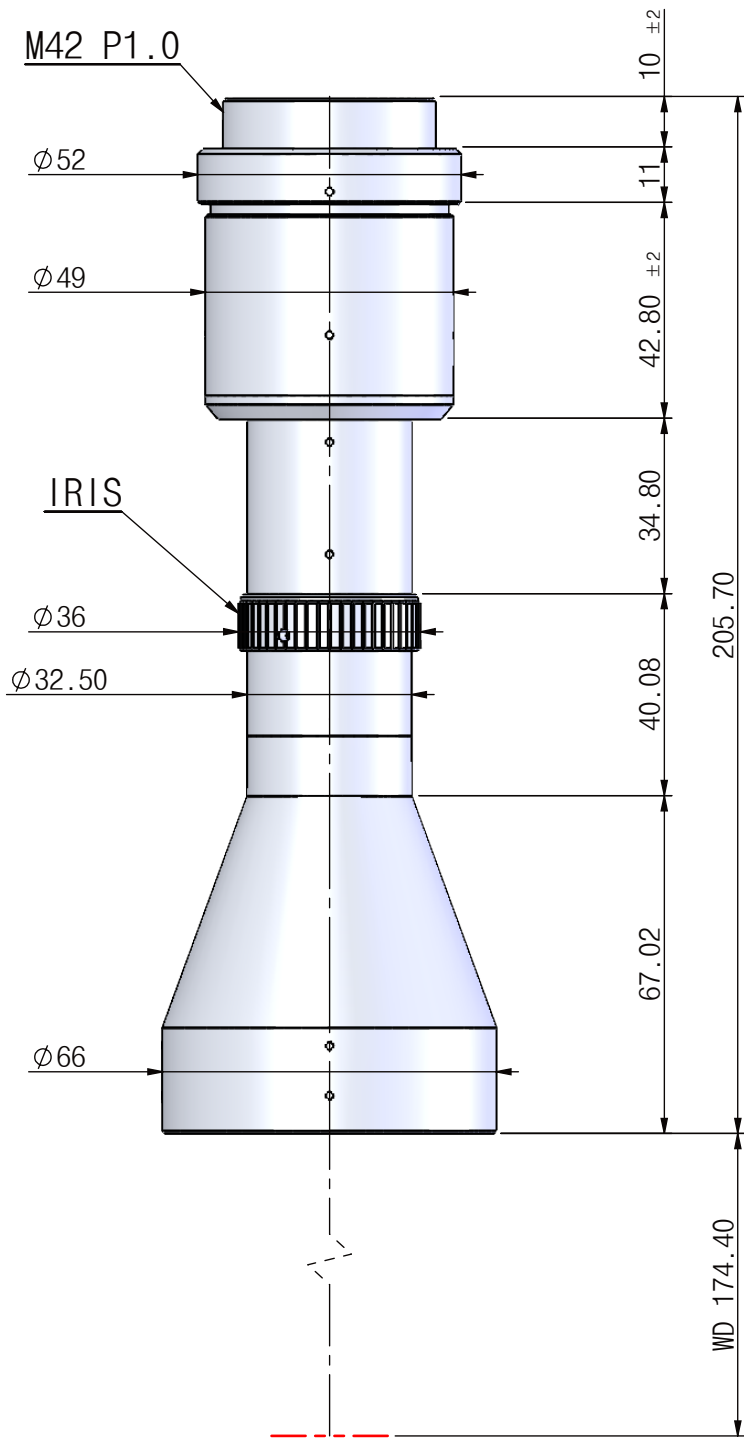



본 도면은 리스광시스템(주)의 자산이므로 허가없이 복제 및 외부 반출을 금함.
 This drawing and ideas are protected by LEES Optical System, Inc.



OPTICAL MAGNIFICATION	WD(mm)	DEPTH OF FIELD	RESOLUTION	NA	PARAXIAL WORKING F/#	F.O.V.	MOUNT
0.75X	174.4	± 0.25 mm	7.3um	0.046	8	Max Sensor size(mm) 25	NON-MOUNT

CORPORATE NAME	MODEL (ON/COAXIAL)	SCALE
 SINCE 1999	TITLE	1:1.5
	15MEGA PIXEL SERIES	DIMENSIONS
	LNTC-0.75X-15M	mm