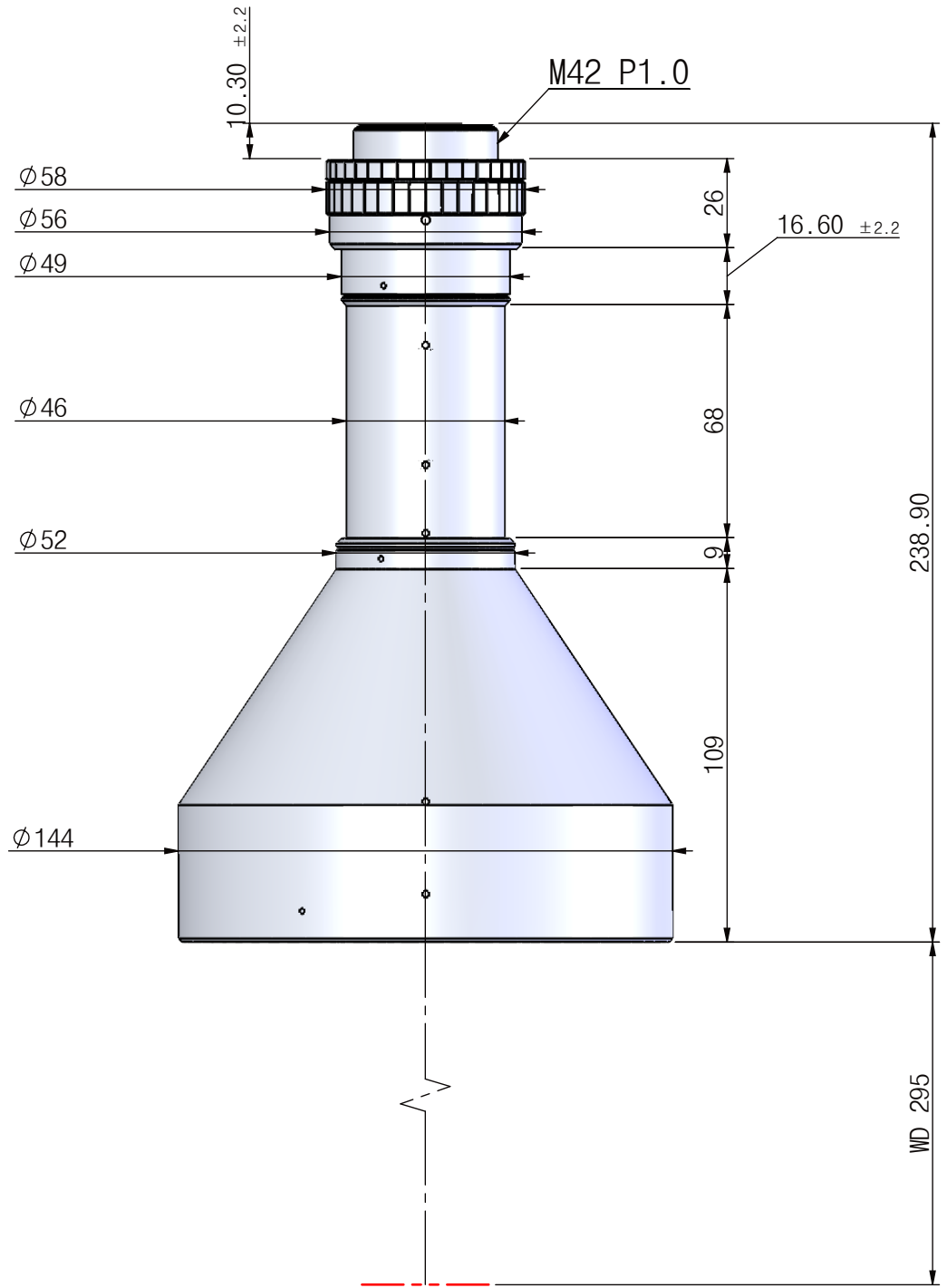



본 도면은 리스광시스템(주)의 자산이므로 허가없이 복제 및 외부 반출을 금함.
 This drawing and ideas are protected by LEES Optical System, Inc.



OPTICAL MAGNIFICATION	WD(mm)	DEPTH OF FIELD	RESOLUTION	NA	PARAXIAL WORKING F/#	F.O.V.	MOUNT
0.225X	295	± 1.9 mm	16.8 μ m	0.02	5.6	Max Sensor size(mm) 25	NON-MOUNT

CORPORATE NAME	MODEL (ON/COAXIAL)	SCALE
 SINCE 1999	TITLE	1:2
	15MEGA PIXEL SERIES	DIMENSIONS
	LTNC-0.225X-15M	mm