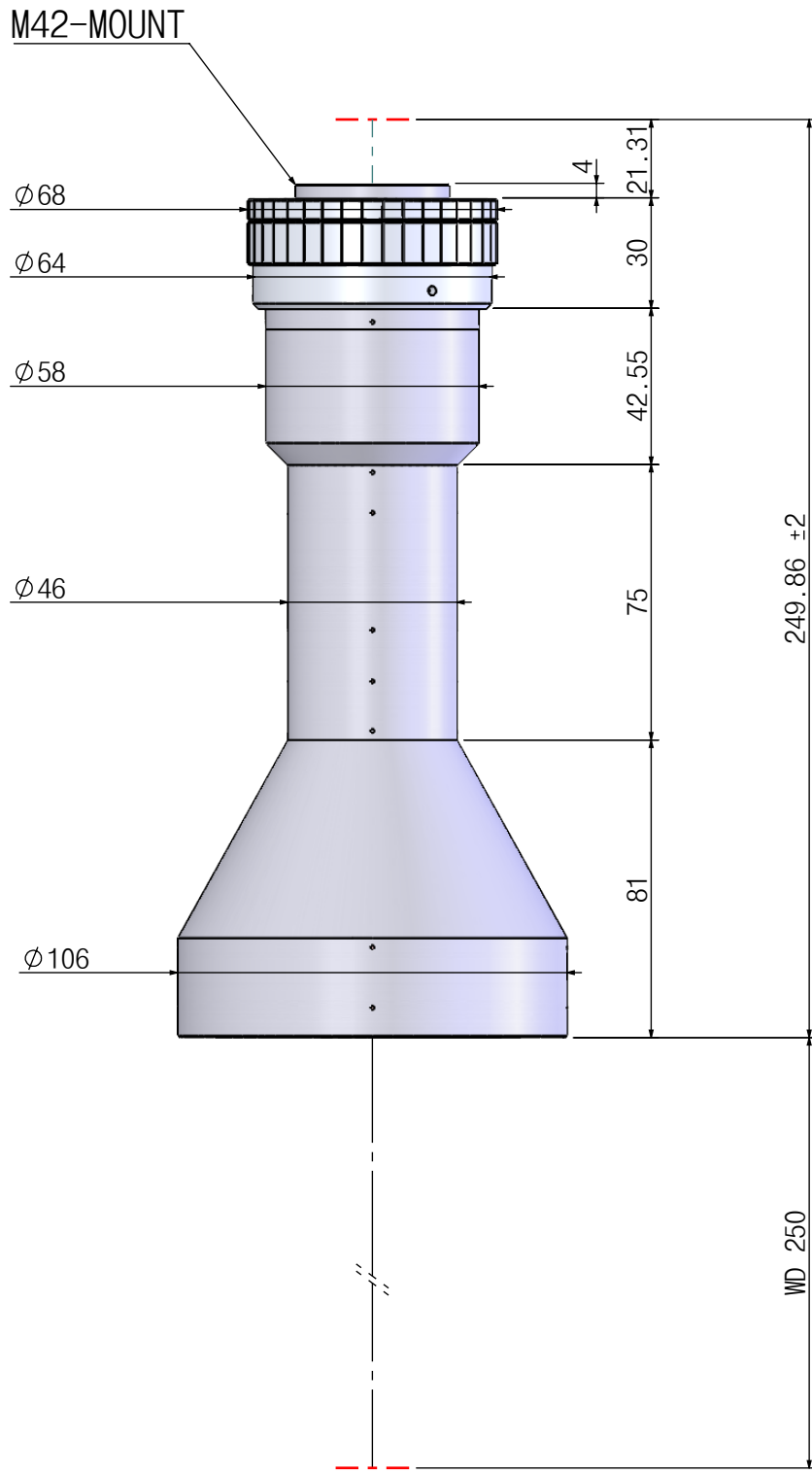



본 도면은 리스광시스템(주)의 자산이므로 허가없이 복제 및 외부 반출을 금함.
 This drawing and ideas are protected by LEES Optical System, Inc.



| OPTICAL MAGNIFICATION | WD(mm) | DEPTH OF FIELD | RESOLUTION | NA | PARAXIAL WORKING F/# | F.O.V. | MOUNT |
|-----------------------|--------|---|-------------------|-------|----------------------|---------------------|-----------|
| 0.55X | 250 | ± 0.509 (at PCC 22 μm) | 8.6 μm | 0.039 | 7 | 40.9mmX30.72mm, 12M | M42-MOUNT |

| | | | | |
|---|--|--------------------|--|------------|
| CORPORATE NAME | | MODEL (ON/COAXIAL) | | SCALE |
|  SINCE 1999 | | TITLE | | 1:2 |
| | | LP18039 | | DIMENSIONS |
| | | TLW250-0.55X-12M | | mm |