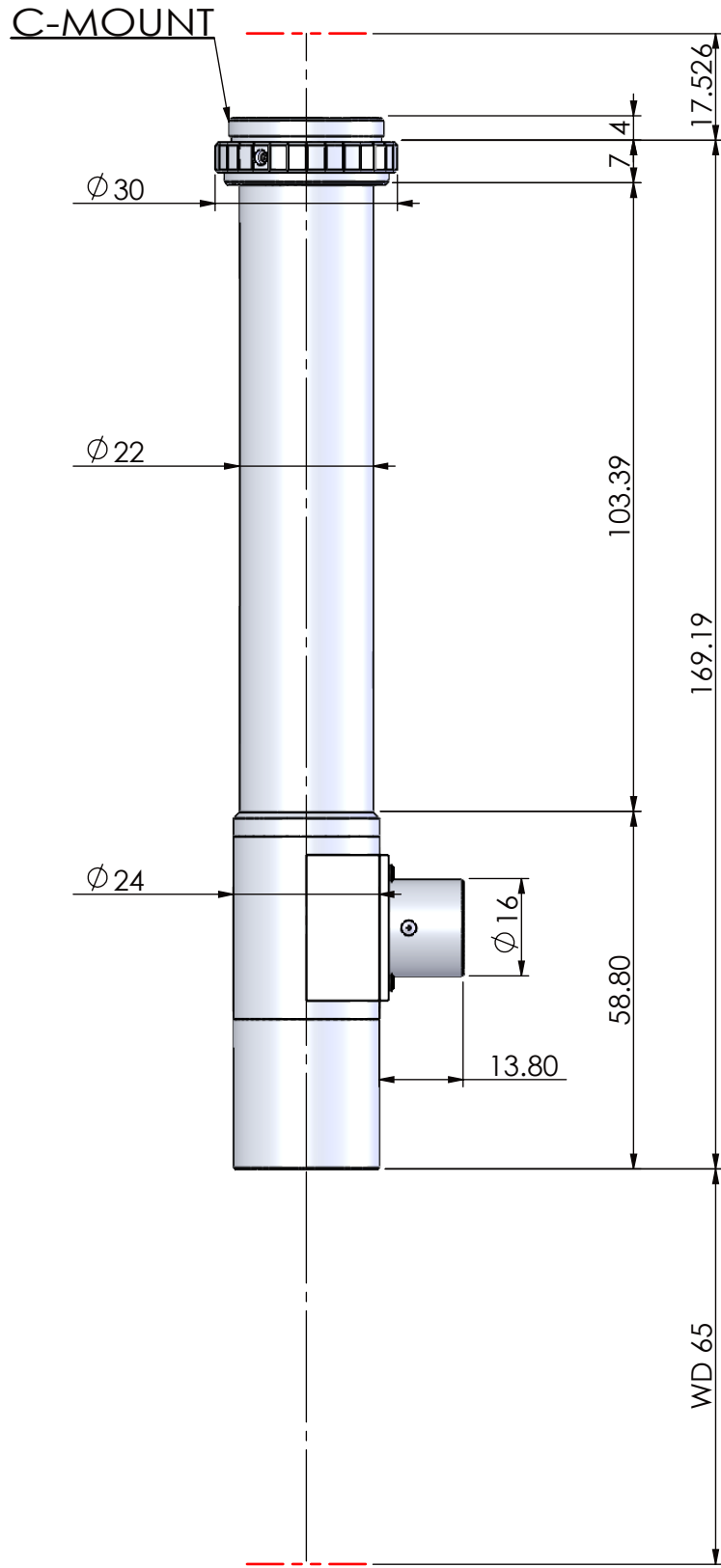


본 도면은 리스광시스템(주)의 자산이므로 허가없이 복제 및 외부 반출을 금함.
 This drawing and ideas are protected by LEES Optical System, Inc.



| OPTICAL MAGNIFICATION | WD(mm) | DEPTH OF FIELD | RESOLUTION | NA | PARAXIAL WORKING F/# | F.O.V. | MOUNT |
|-----------------------|--------|----------------|------------|-------|----------------------|---|---------|
| 8.0X | 65 | ±0.022 mm | 3um | 0.112 | 35.5 | H1.1 X V0.82(2/3") H0.8 X V0.6(1/2") | C-MOUNT |

| CORPORATE NAME | MODEL (ON/COAXIAL) | SCALE |
|----------------|--------------------|------------|
| | TITLE | 1:1.2 |
| | TLW 65SERIES | DIMENSIONS |
| | TLW65D-8.0X-HR | mm |