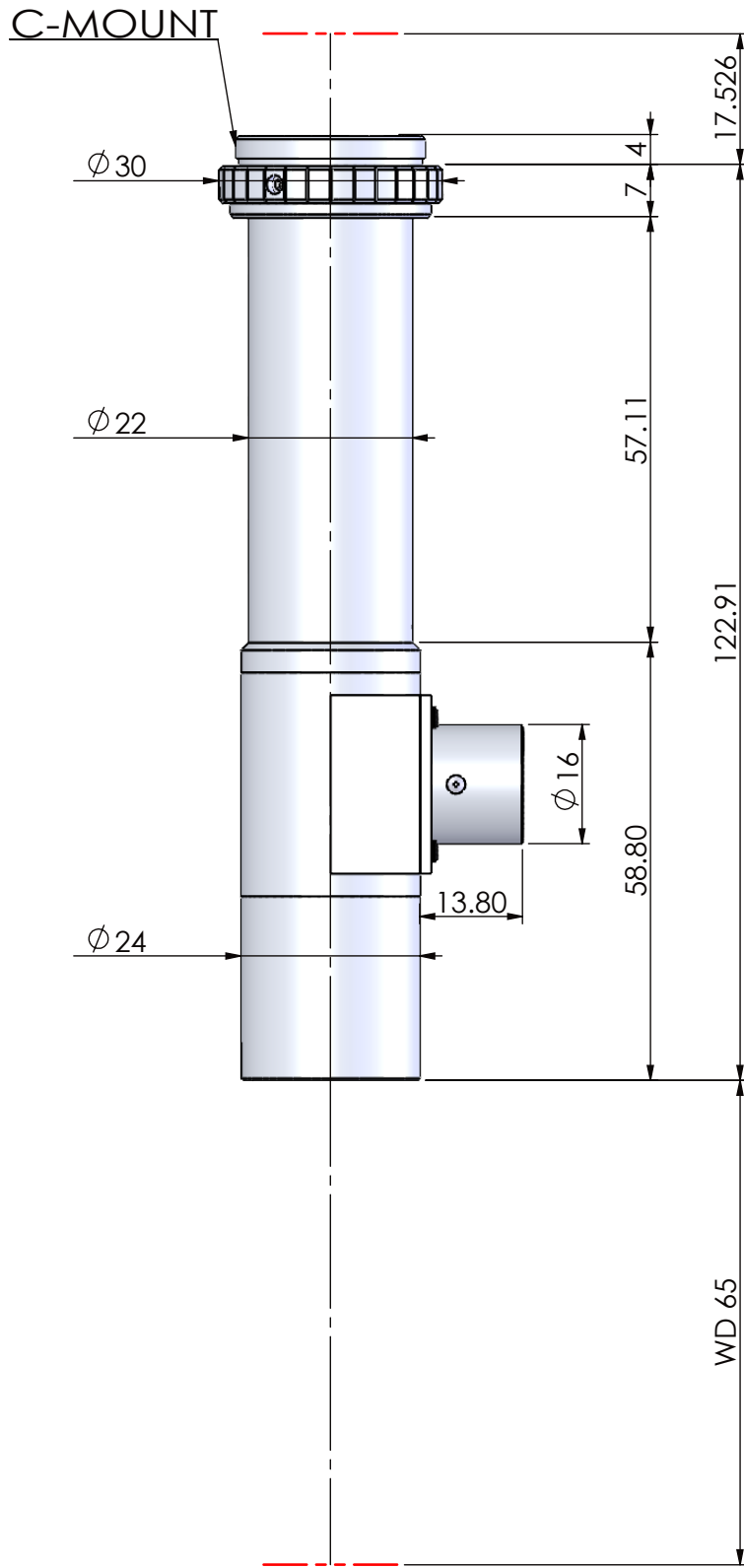


본 도면은 리스광시스템(주)의 자산이므로 허가없이 복제 및 외부 반출을 금함.
 This drawing and ideas are protected by LEES Optical System, Inc.



OPTICAL MAGNIFICATION	WD(mm)	DEPTH OF FIELD	RESOLUTION	NA	PARAXIAL WORKING F/#	F.O.V.	MOUNT
5.0X	65	± 0.035 mm	3 μ m	0.112	22.2	H1.76 X V1.32(2/3") H1.28 X V0.96(1/2")	C-MOUNT

CORPORATE NAME	MODEL (ON/COAXIAL)	SCALE
	TITLE	1:1
	TLW65 SERIES	DIMENSIONS
	TLW65D-5.0X-HR	mm