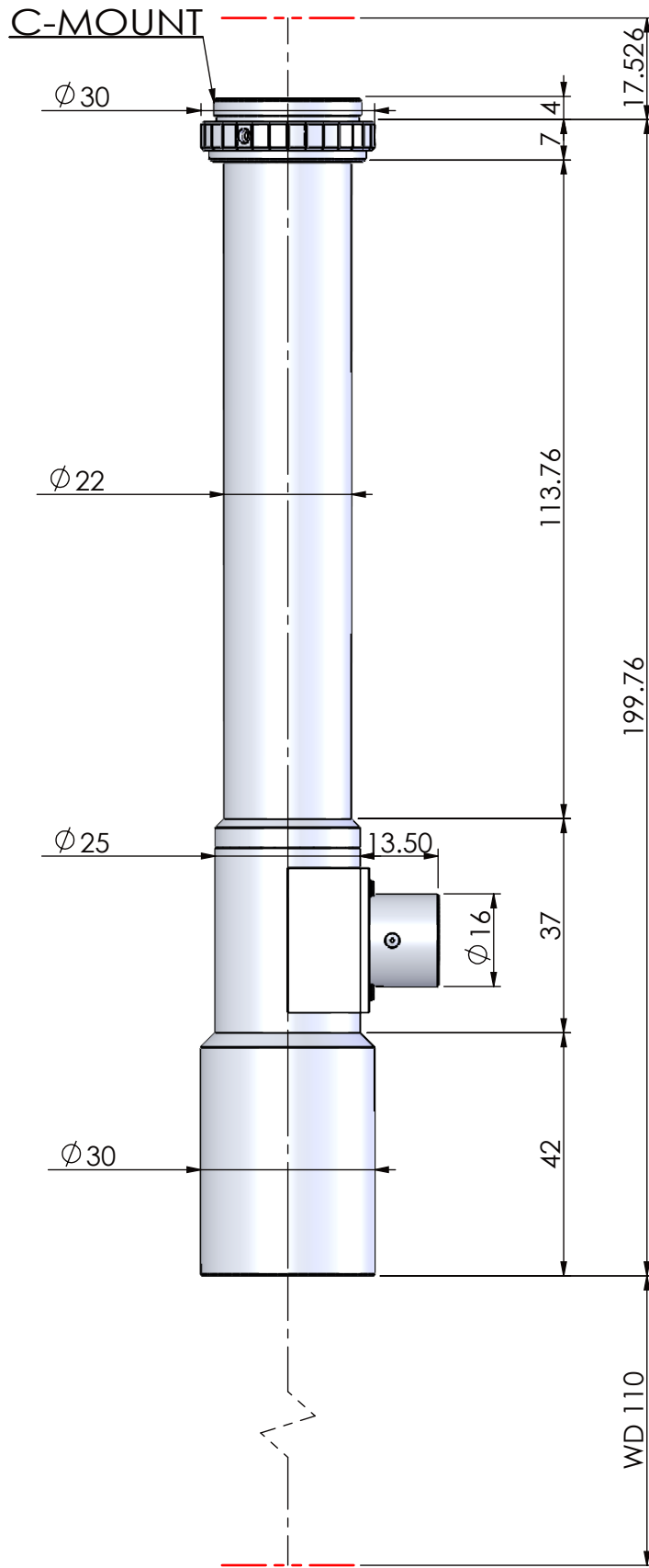


본 도면은 리스광시스템(주)의 자산이므로 허가없이 복제 및 외부 반출을 금함.
 This drawing and ideas are protected by LEES Optical System, Inc.



OPTICAL MAGNIFICATION	WD(mm)	DEPTH OF FIELD	RESOLUTION	NA	PARAXIAL WORKING F/#	F.O.V.	MOUNT
8.0X	110	± 0.027 mm	3.8 μ m	0.09	43.9	H1.1 X V0.82(2/3") H0.8 X V0.6(1/2")	C-MOUNT

CORPORATE NAME	MODEL (ON/COAXIAL)	SCALE
 SINCE 1999	TITLE	1:1.2
	TLW 110SERIES	DIMENSIONS
	TLW110D-8.0X-HR	mm