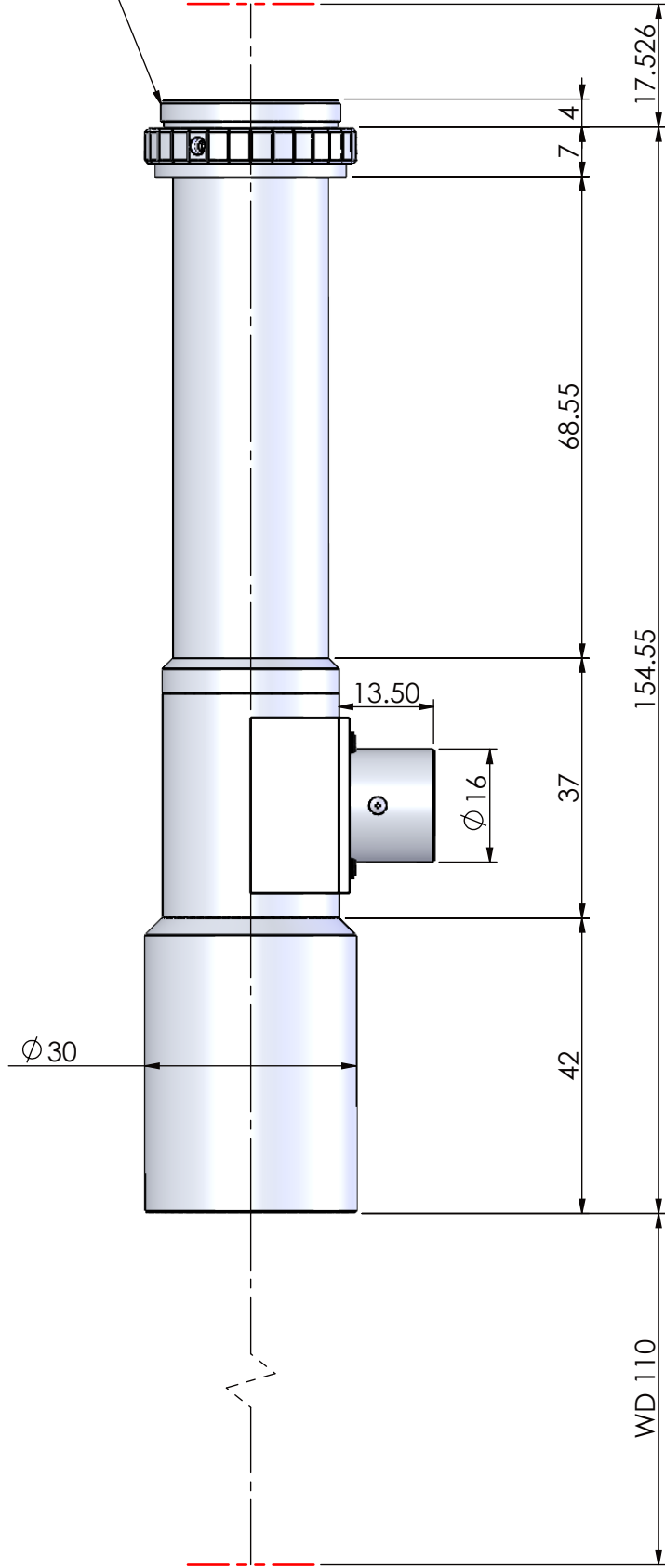


본 도면은 리스광시스템(주)의 자산이므로 허가없이 복제 및 외부 반출을 금함.
 This drawing and ideas are protected by LEES Optical System, Inc.

C-MOUNT



OPTICAL MAGNIFICATION	WD(mm)	DEPTH OF FIELD	RESOLUTION	NA	PARAXIAL WORKING F/#	F.O.V.	MOUNT
5.0X	110	±0.043 mm	3.8um	0.09	27	H1.76 X V1.32(2/3") H1.28 X V0.96(1/2")	C-MOUNT

CORPORATE NAME		MODEL (ON/COAXIAL)		SCALE
		TITLE		1:1
		TLW 110SERIES		DIMENSIONS
		TLW110D-5.0X-HR		mm