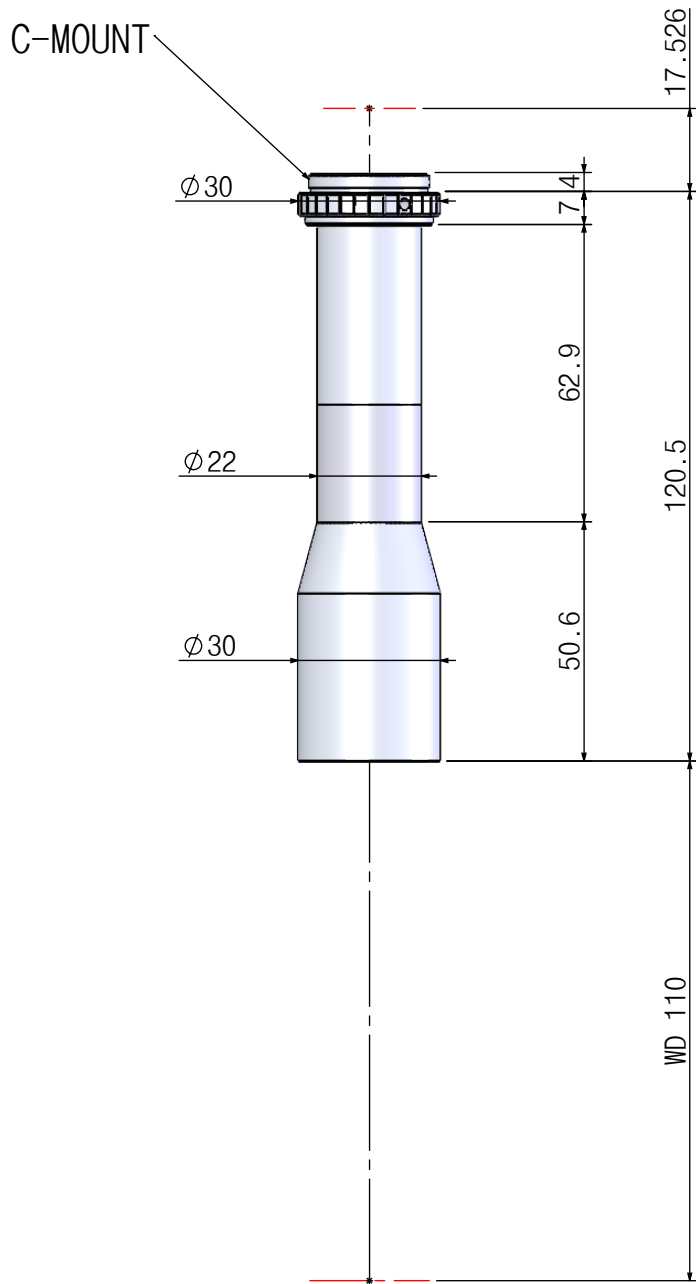


본 도면은 리스광시스템(주)의 자산이므로 허가없이 복제 및 외부 반출을 금함.  
 This drawing and ideas are protected by LEES Optical System, Inc.



OPTICAL MAGNIFICATION	WD(mm)	DEPTH OF FIELD	RESOLUTION	NA	PARAXIAL WORKING F/#	F.O.V.	MOUNT
1.0X	110	±0.38	6.45	0.052	9.5	8.8(H) X 6.6(V)mm 2/3''	C-MOUNT

CORPORATE NAME	MODEL (ON/COAXIAL)	SCALE
	TITLE	1:1.6
	TLW 110SERIES	DIMENSIONS
	TLW110-1.0X-HR	mm