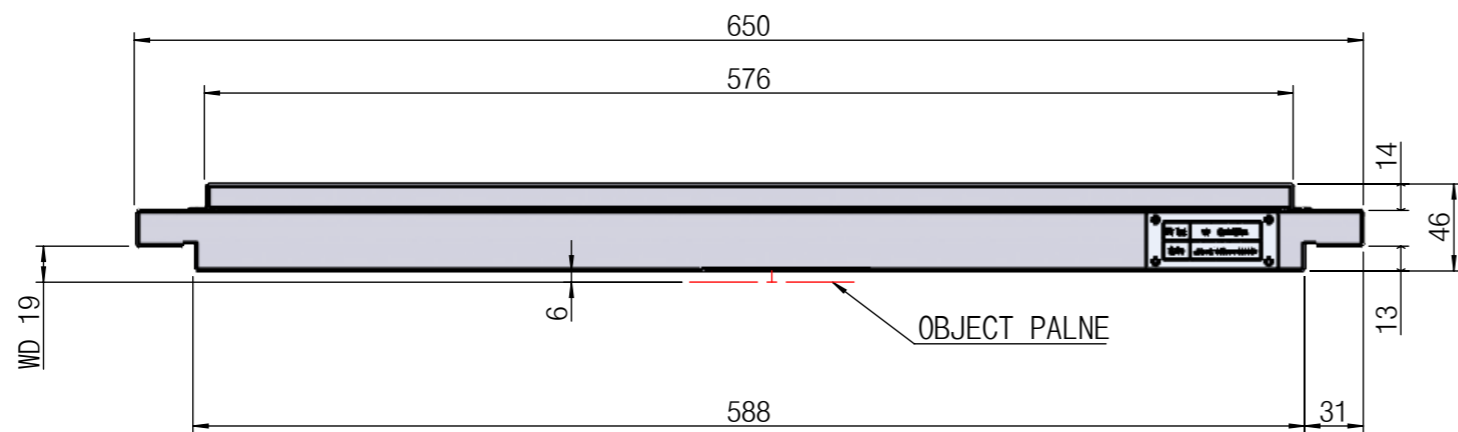
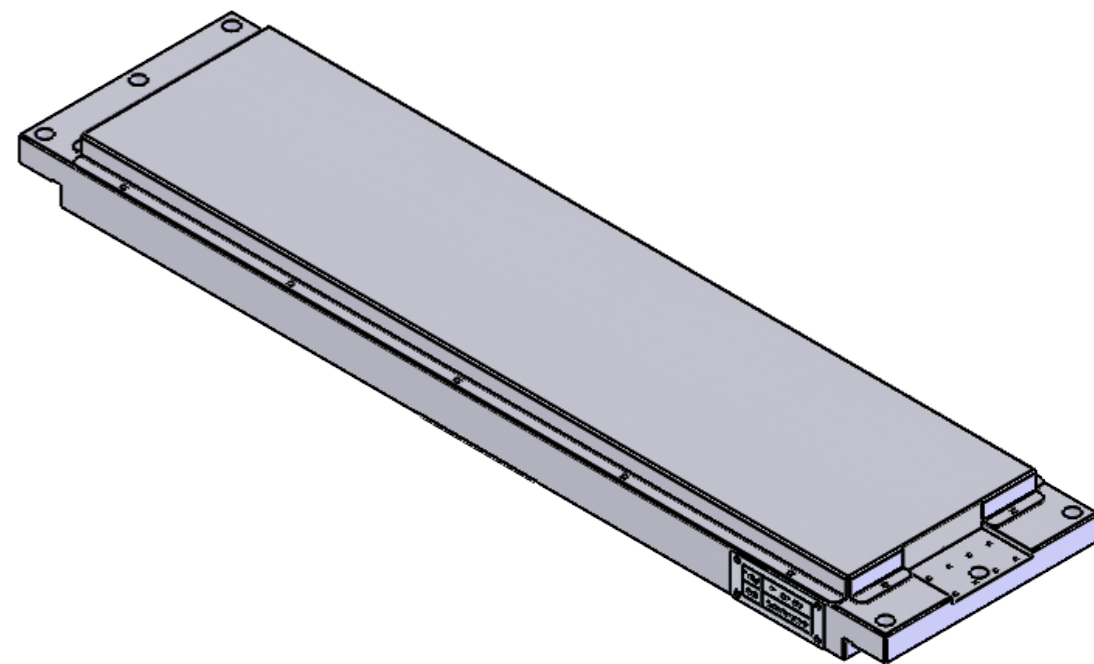
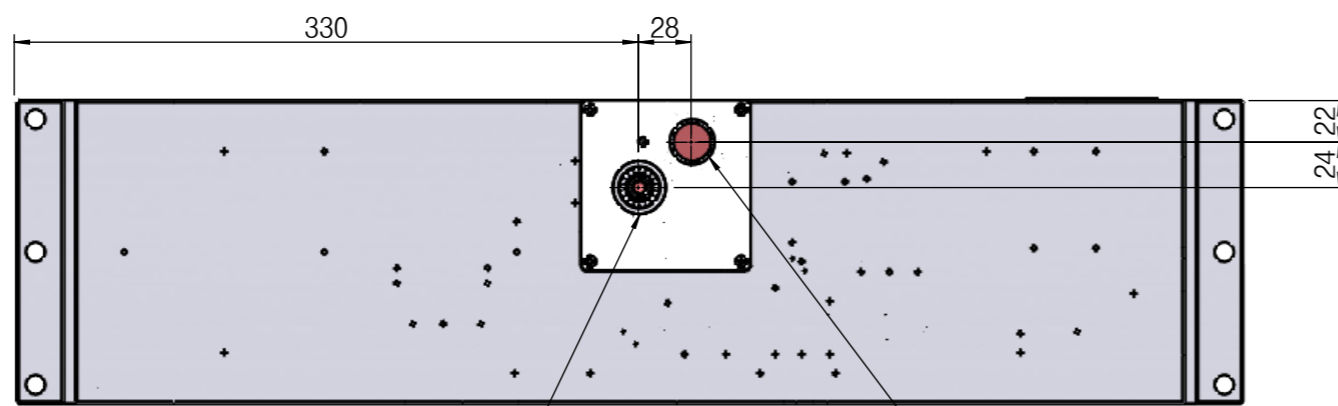
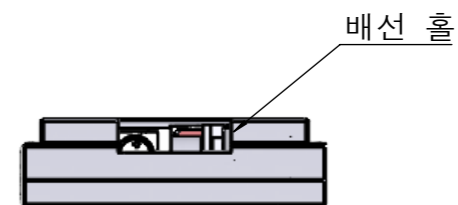


6 - Ø 10 THRU
 M8 BOLT 적용



OBJECT PALNE



MICRO / MIDDLE

MACRO

SCALE	ANGLE	DESIGNED BY	CHECKED BY	APPROVED BY	TITLE
1:3		박상민			A21059-AW000-R01
■ MM	□ INCH	2021-12-22			WAFER CAMERA
0. ±0.1	0.0 ±0.04	 SINCE 1999			DWG. NO
0.0 ±0.05	0.00 ±0.02				A21059-AW000-R01
0.00 ±0.01	0.000 ±0.004				
0.000 ±0.002	0.0000 ±0.0002				