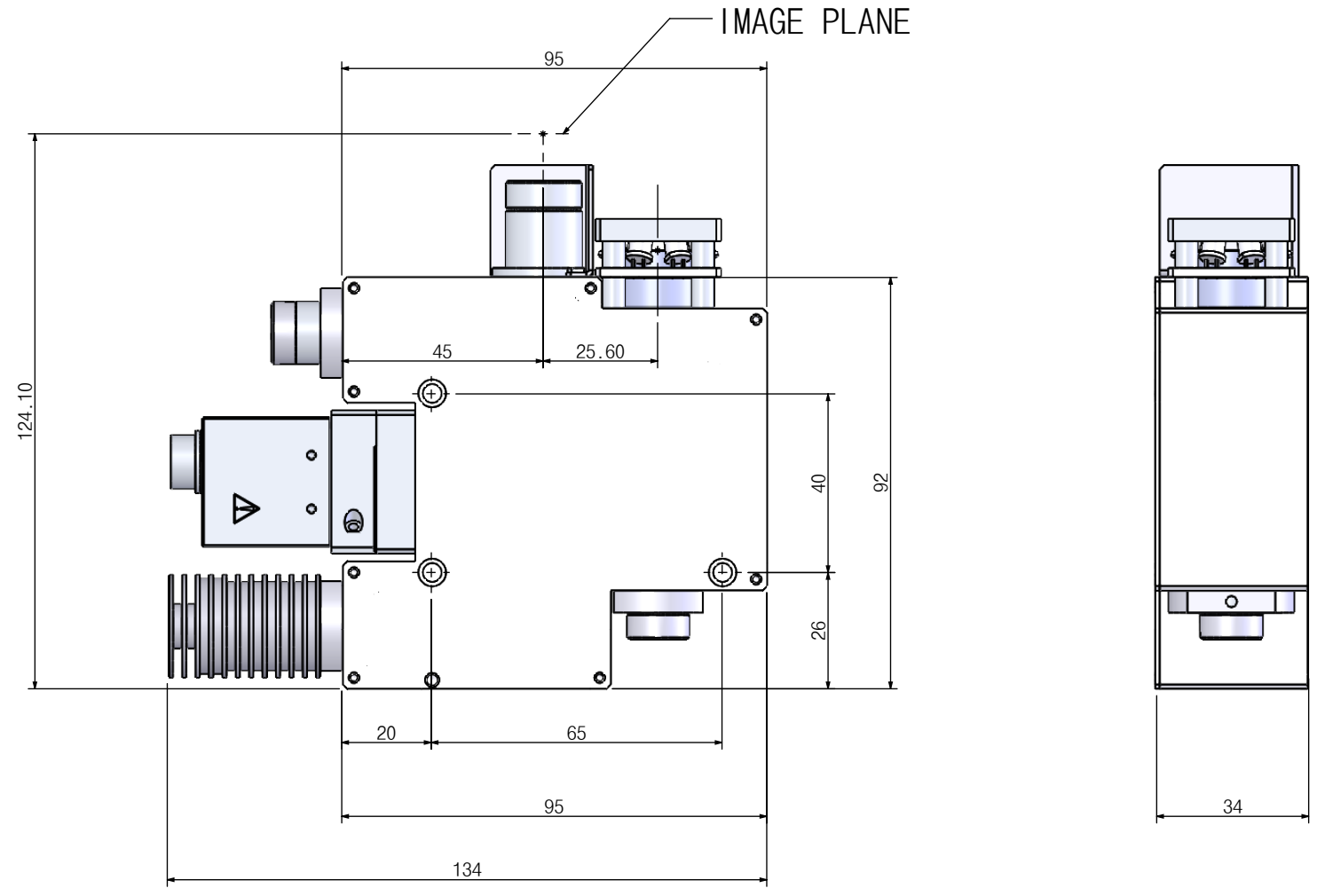


REV. NO	REVISION NOTE	DATE	SIGNATURE	CHECKED
△				

본 도면은 리스광시스템(주)의 자산이므로 허가없이 복제 및 외부 반출을 금함.  
 This drawing and ideas are protected by LEES Optical System, Inc.



4

OPTICAL MAGNIFICATION	ILLUMINATION	WD (um)	NA	RESOLUTION(um)		DEPTH OF FIELED (um)	SCALE	ANGLE	DESIGNED BY	CHECKED BY	APPROVED BY	TITLE	
				CALCULATION	MONITOR								
0.9X	COAXIAL/RING	19.10	0.04	7.6	15.62	± 0.55	1:1.5		전종성			PROBE STATION UNIT	
14X	COAXIAL	10.46	0.33	0.93	1.55	± 4.3	MM	INCH	2016-11-10			CHUCK-V2(W)	
												DWG. NO	LOS-HCK0803-R02-00 (W)