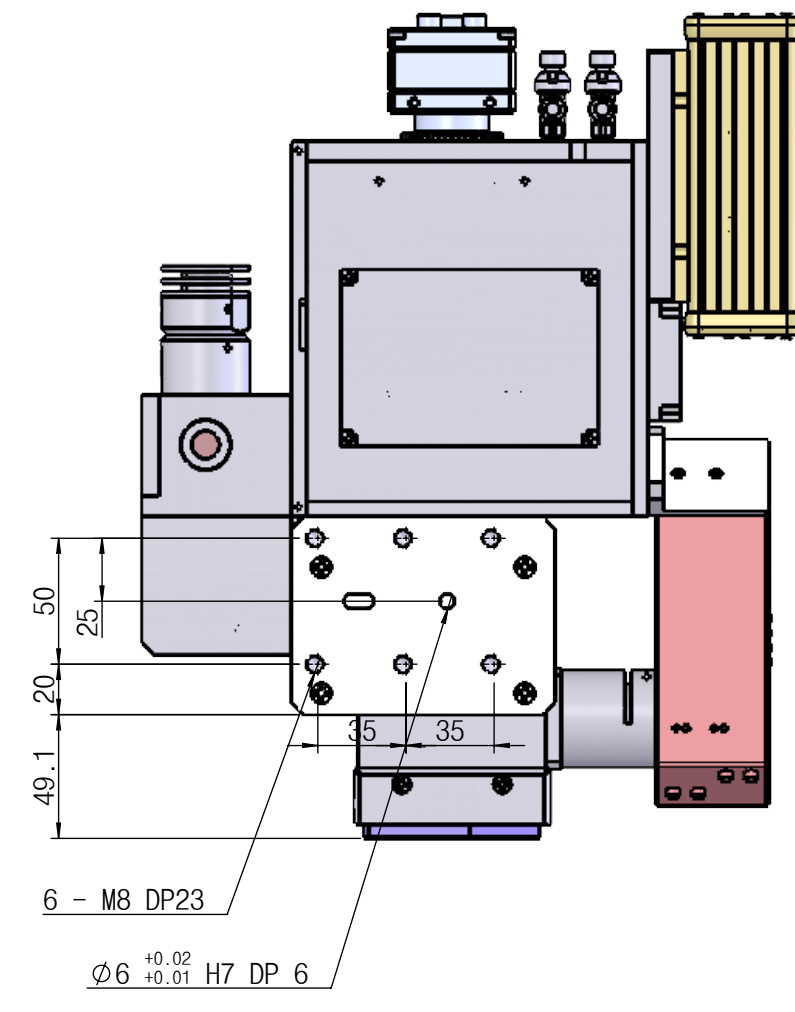
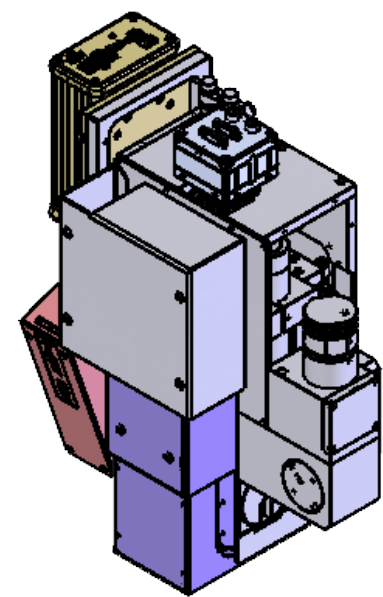
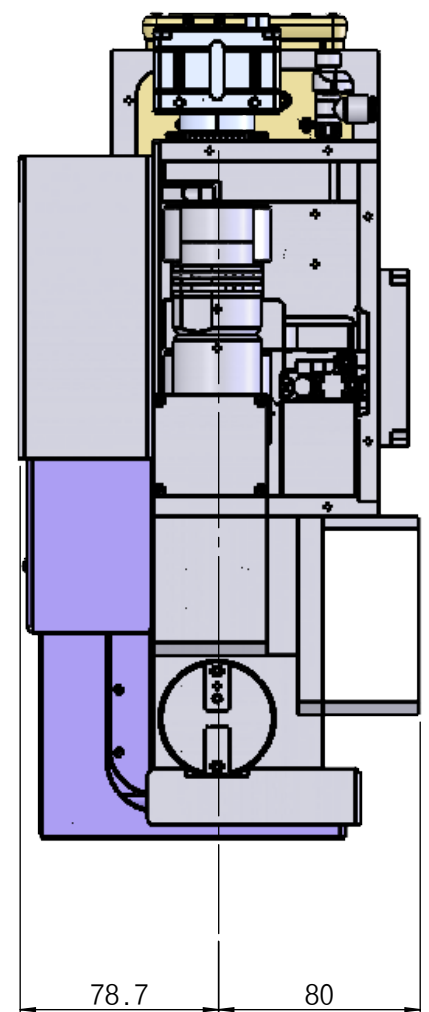
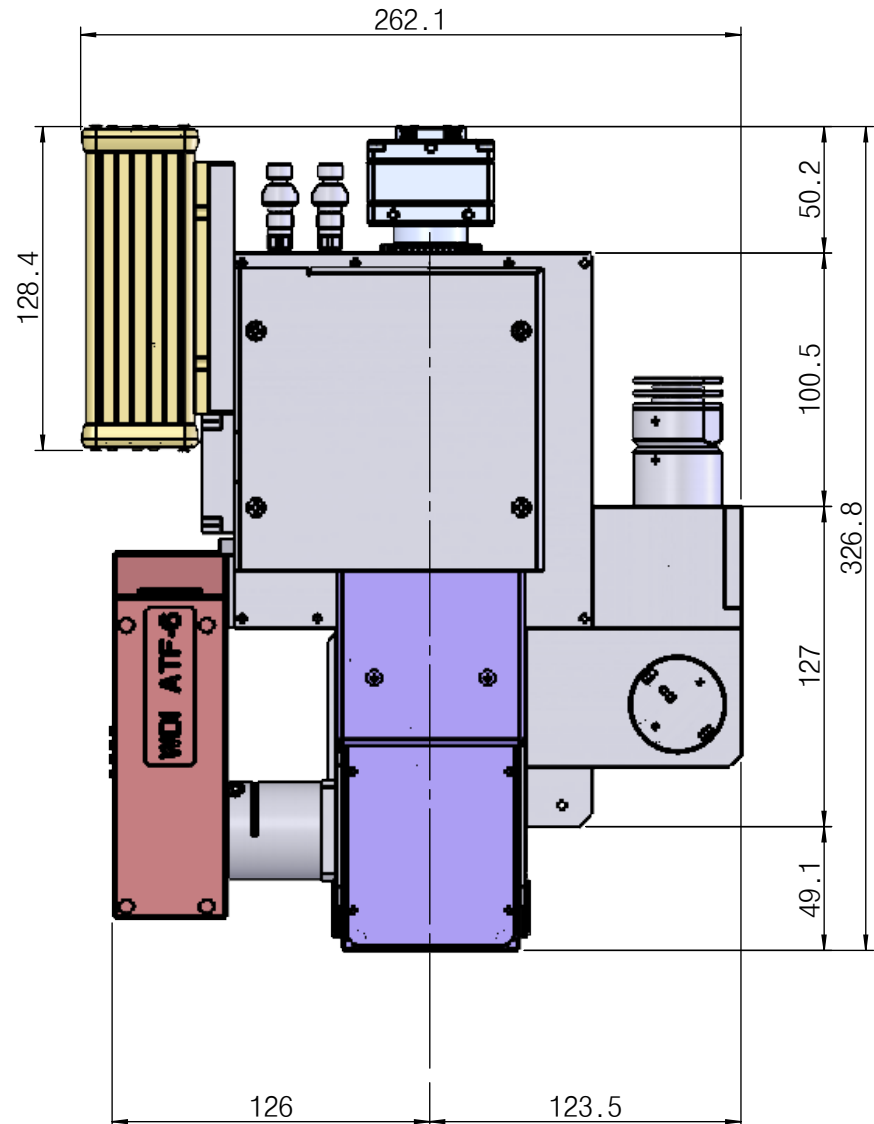
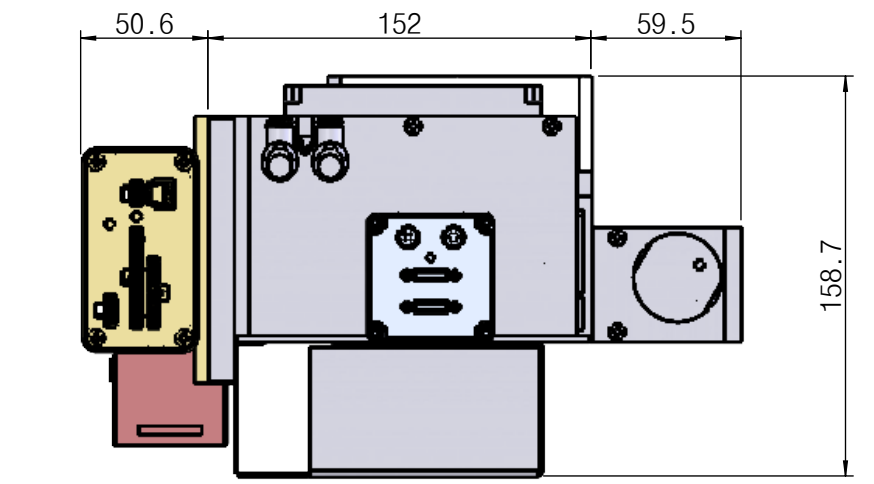
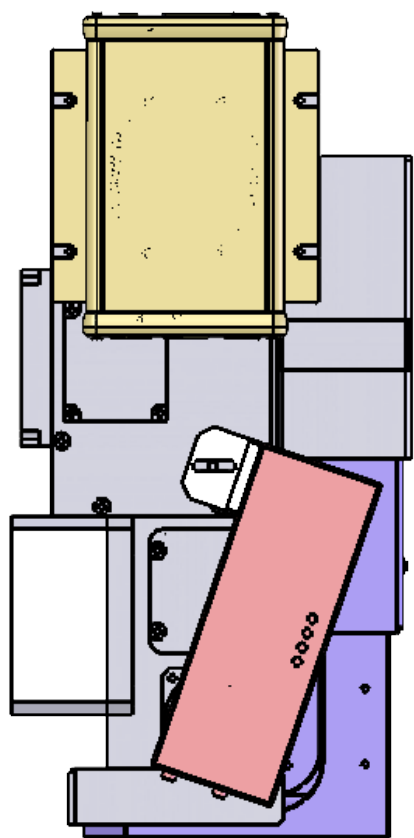


본 도면은 리스광시스템(주)의 자산이므로 허가없이 복제 및 외부 반출을 금함.
 This drawing and ideas are protected by LEES Optical System, Inc.



| SCALE | ANGLE | DESIGNED BY | CHECKED BY | APPROVED BY | TITLE |
|--------------|----------------|----------------|------------|-------------|-------------------------|
| 1:3 | | 전종성 | | | FLUORESCENCE MICROSCOPY |
| ■ MM | □ INCH | 2021-03-12 | | | A20026-A000-R02 |
| 0. ±0.1 | 0.0 ±0.04 | SINCE 1999 | | | DWG. NO |
| 0.0 ±0.05 | 0.00 ±0.02 | | | | A20026-A000-R02(엔지온) |
| 0.00 ±0.01 | 0.000 ±0.004 | | | | |
| 0.000 ±0.002 | 0.0000 ±0.0002 | | | | |