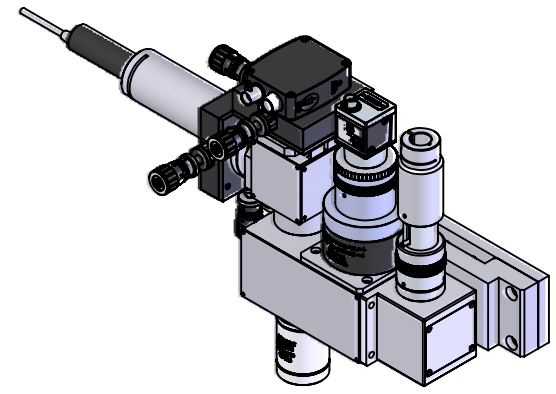
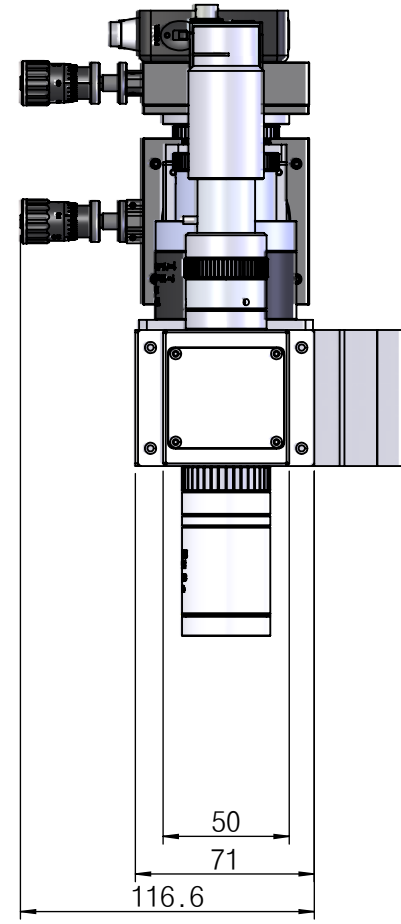
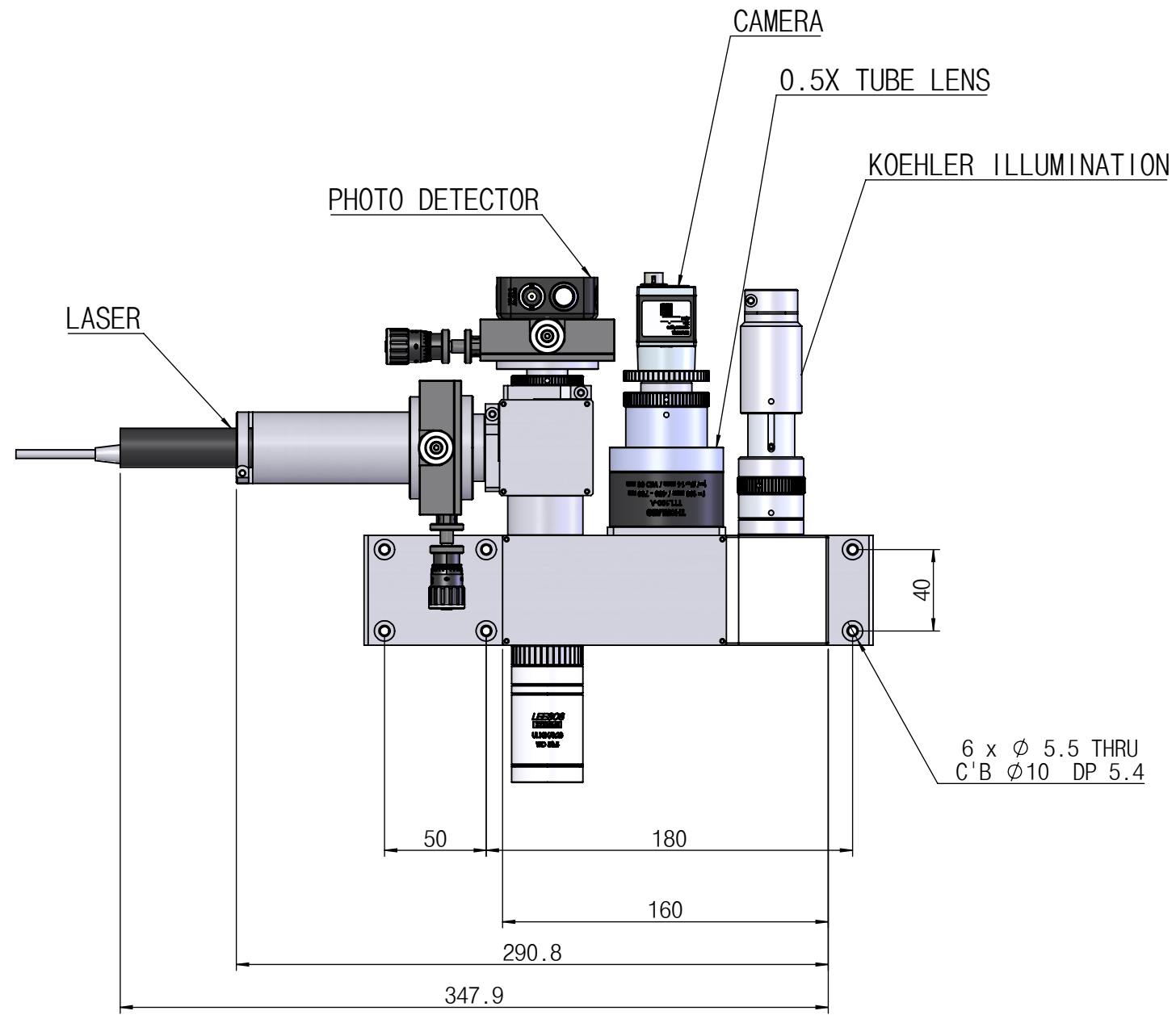
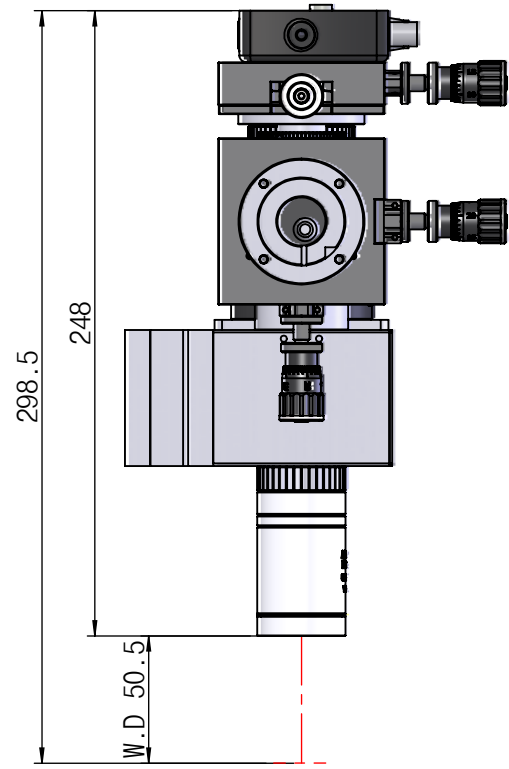


본 도면은 리스광시스템(주)의 자산이므로 허가없이 복제 및 외부 반출을 금함.

This drawing and ideas are protected by LEES Optical System, Inc.



SCALE	ANGLE	DESIGNED BY	CHECKED BY	APPROVED BY	TITLE
1:3		안영기			A18059-A000-R01
■ MM	□ INCH	2018-09-19			A000
0. ±0.1	0.0 ±0.04	 SINCE 1999			DWG. NO
0.0 ±0.05	0.00 ±0.02				A18059-A000-R01
0.00 ±0.01	0.000 ±0.004				D180919-8A000
0.000 ±0.002	0.0000 ±0.0002				