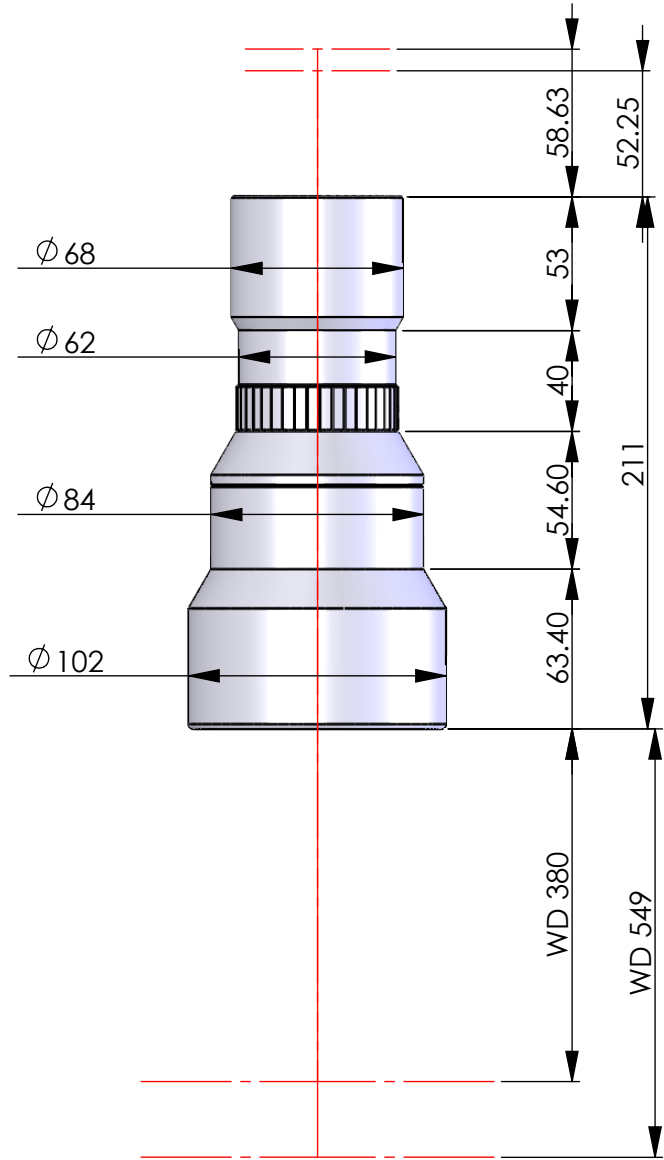


REV. NO	REVISION NOTE	DATE	SIGNATURE	CHECKED
△				



OPTICAL MAGNIFICATION(X)	WD(mm)	Resolution (40 lp/mm)	PARAXIAL WORKING F/#	F.O.V (mm)	Distortion(%)	Relative Illumination(%)	BFL(mm)	Total Track Lenth(mm)
0.17	549.0	>38%	3.00	381	0.55	75	51.7	811.7
0.18	516.4	>47%	3.02	360	0.62	76	52.7	780.1
0.19	448.4	>48%	3.03	341	0.68	76	53.7	753.1
0.20	463.0	>46%	3.05	324	0.74	76	54.7	728.7
0.21	440.0	>45%	3.07	308	0.80	77	55.6	706.6
0.22	419.0	>44%	3.09	294	0.86	78	56.6	686.6
0.23	399.8	>38%	3.11	281	0.92	78	57.5	668.3
0.24	380.0	>27%	3.13	270	0.98	80	58.6	649.6

SCALE	ANGLE	DESIGNED BY	CHECKED BY	APPROVED BY
1:3				
<input checked="" type="checkbox"/> MM	<input type="checkbox"/> INCH	 SINCE 1999		
0. ±0.1 0.0 ±0.05 0.00 ±0.01 0.000 ±0.002	0.0 ±0.04 0.00 ±0.02 0.000 ±0.004 0.0000 ±0.0002			

TITLE 12K LINE SCAN ZOOM LENS	
LUMZ 100	
DWG. NO	LOS-LUMZ100-R01-00

본 도면은 리스광시스템(주)의 자산이므로 허가없이 복제 및 외부 반출을 금함.
This drawing and ideas are protected by LEES Optical System, Inc.