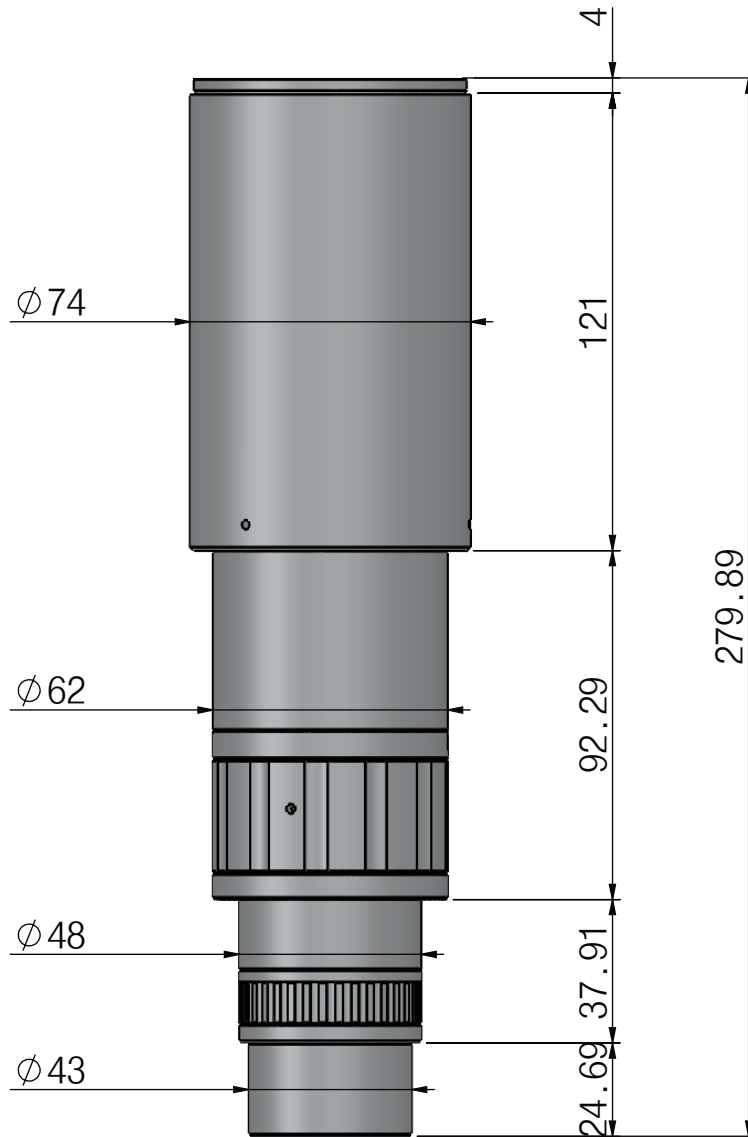



본 도면은 리스광시스템(주)의 자산이므로 허가없이 복제 및 외부 반출을 금함.  
 This drawing and ideas are protected by LEES Optical System, Inc.



OPTICAL MAGNIFICATION	WD(mm)	DEPTH OF FIELD	RESOLUTION	NA	PARAXIAL WORKING F/#	F.O.V.	MOUNT
1.0X	200				12.5	MAX SENSOR SIZE(mm) 56	

CORPORATE NAME	MODEL (ON/COAXIAL)	SCALE
	TITLE	1:2
	8K / 12K LINE SCAN LENS	DIMENSIONS
	LOS-8K-1.0X	mm