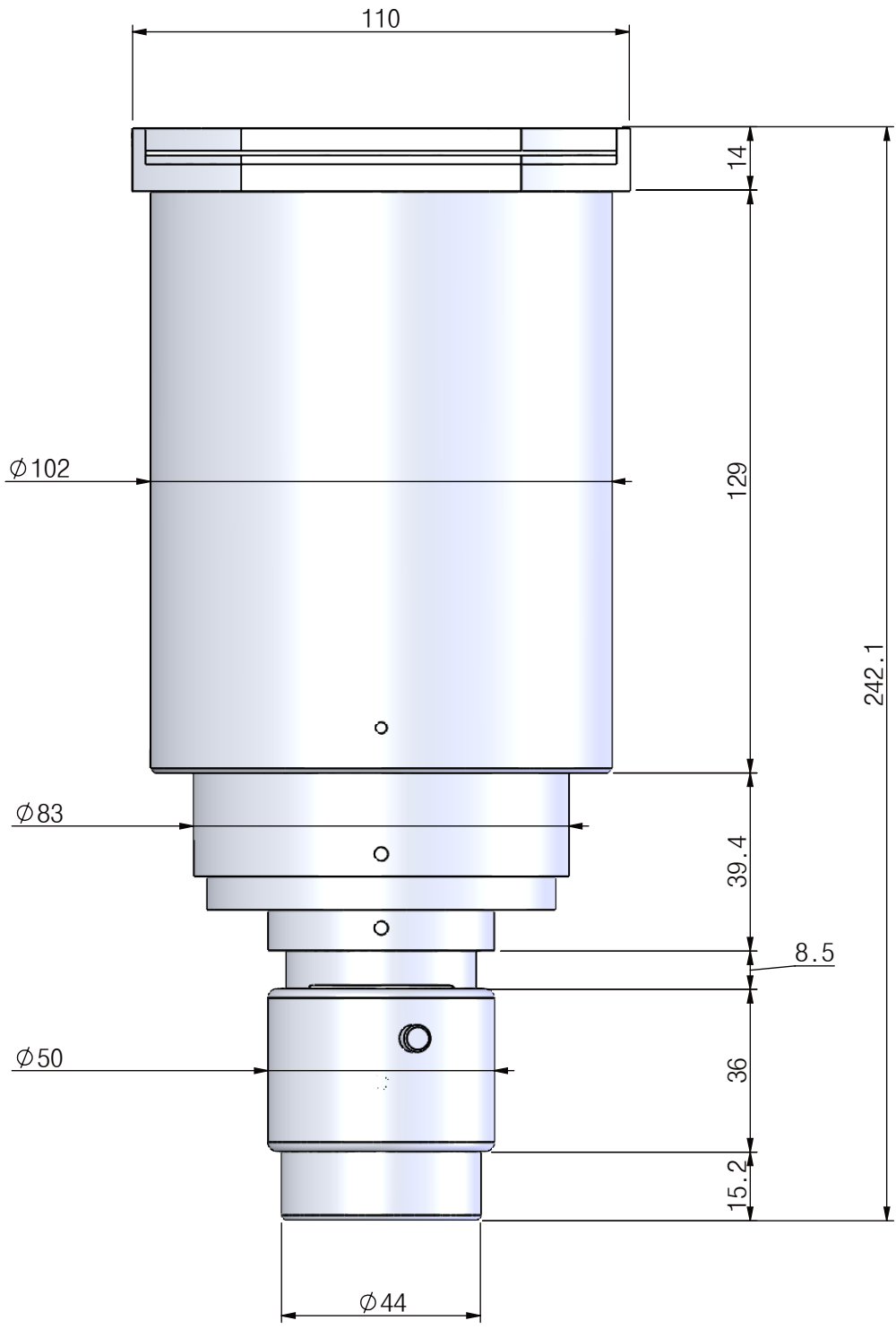


본 도면은 리스광시스템(주)의 자산이므로 허가없이 복제 및 외부 반출을 금함.
 This drawing and ideas are protected by LEES Optical System, Inc.



MODEL	OPTICAL MAGNIFICATION	WD(mm)	PARAXIAL WORKING F/#	MAX SENSOR SIZE	OPTICAL MAXIMUM DISTORTION
LOS-12K-0.7X	0.7X	257	10	90mm	<0.11%
LOS-12K-1.4X	1.4X	170	14	60mm	<0.03%

CORPORATE NAME		MODEL (ON/COAXIAL)		SCALE
 SINCE 1999		TITLE		1:1.5
				12K LINE SCAN LENS
				mm