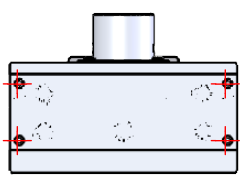
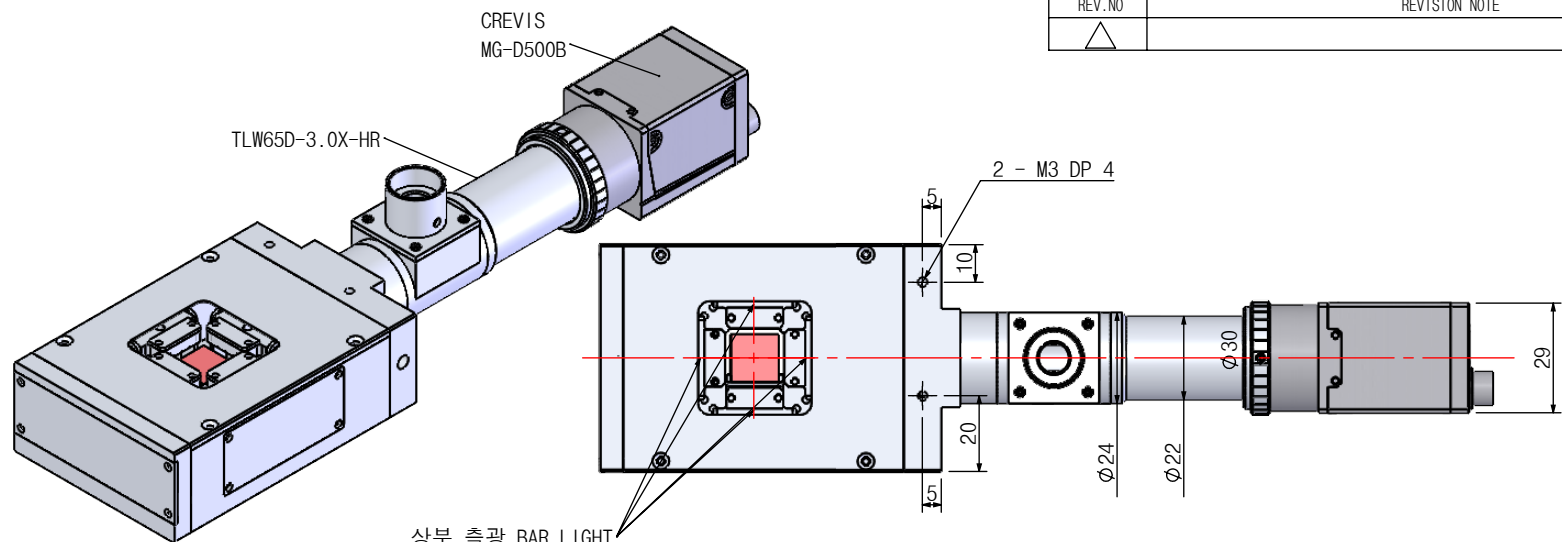
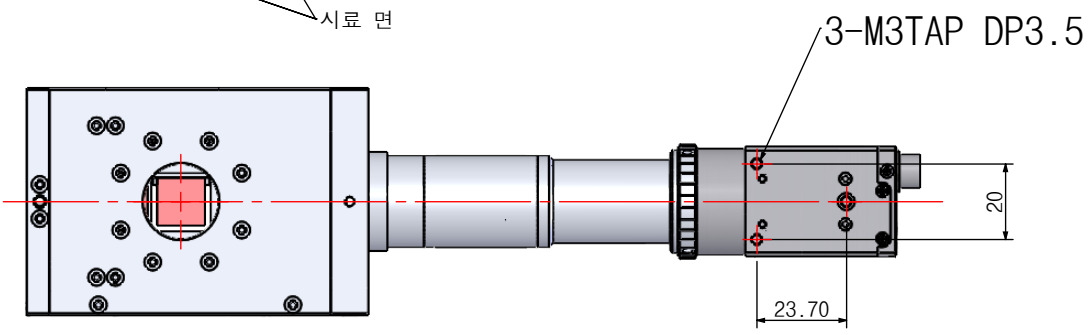
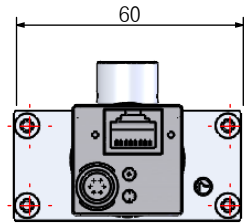
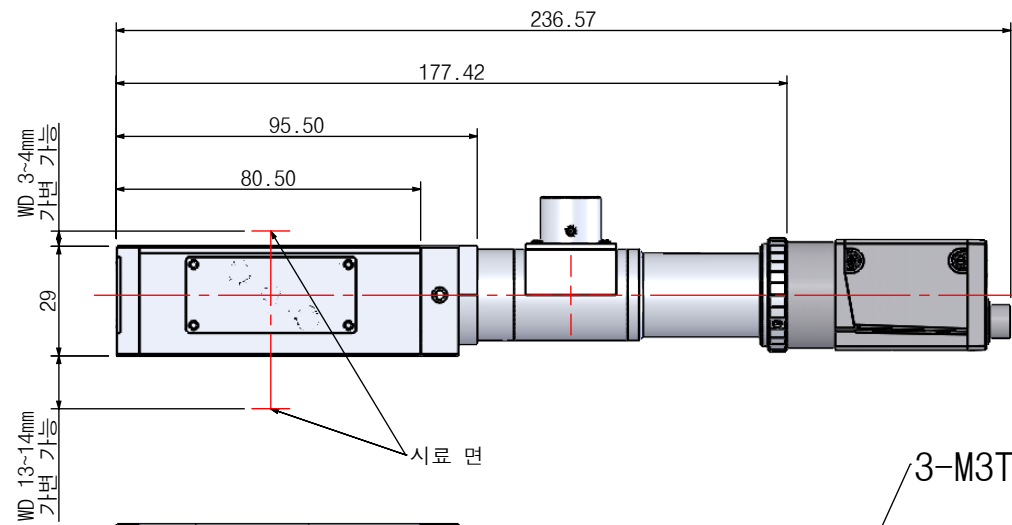


본 도면은 리스광시스템(주)의 자산이므로 허가없이 복제 및 외부 반출을 금함.
 This drawing and ideas are protected by LEES Optical System, Inc.

REV. NO	REVISION NOTE	DATE	SIGNATURE	CHECKED
△				



상부 추광 BAR LIGHT



OPTICAL MAGNIFICATION	WD(mm)	DEPTH OF FIELD	RESOLUTION	NA	PARAXIAL WORKING F/#	F.O.V	MOUNT	SCALE	ANGLE	DESIGNED BY	CHECKED BY	APPROVED BY	TITLE		
								1:2		2020-06-03			A20038-A000-R01		
3.0X		±0.066mm	3.4um	0.1	15	H2.8 x V2.3(2/3")	C-MOUNT	■ MM 0. ±0.1 0.0 ±0.05 0.00 ±0.01 0.000 ±0.002	□ INCH 0.0 ±0.04 0.00 ±0.02 0.000 ±0.004 0.0000 ±0.0002	 SINCE 1999			DWG. NO	A20038-A000-R01	-