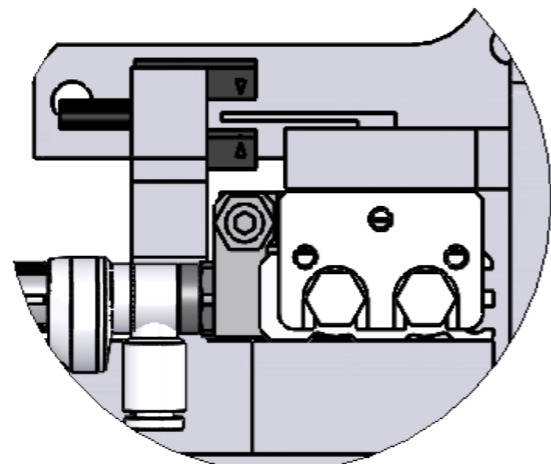
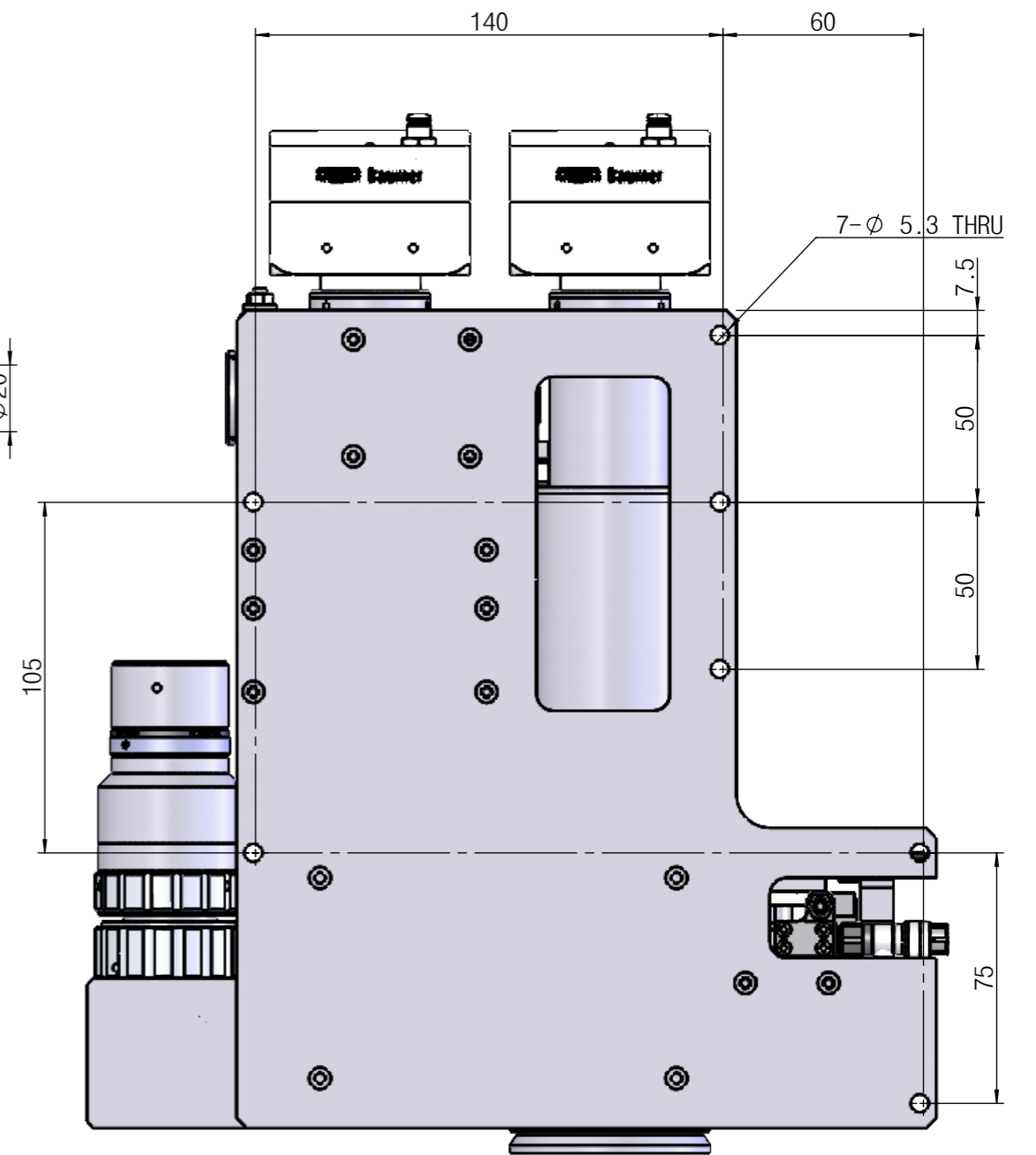
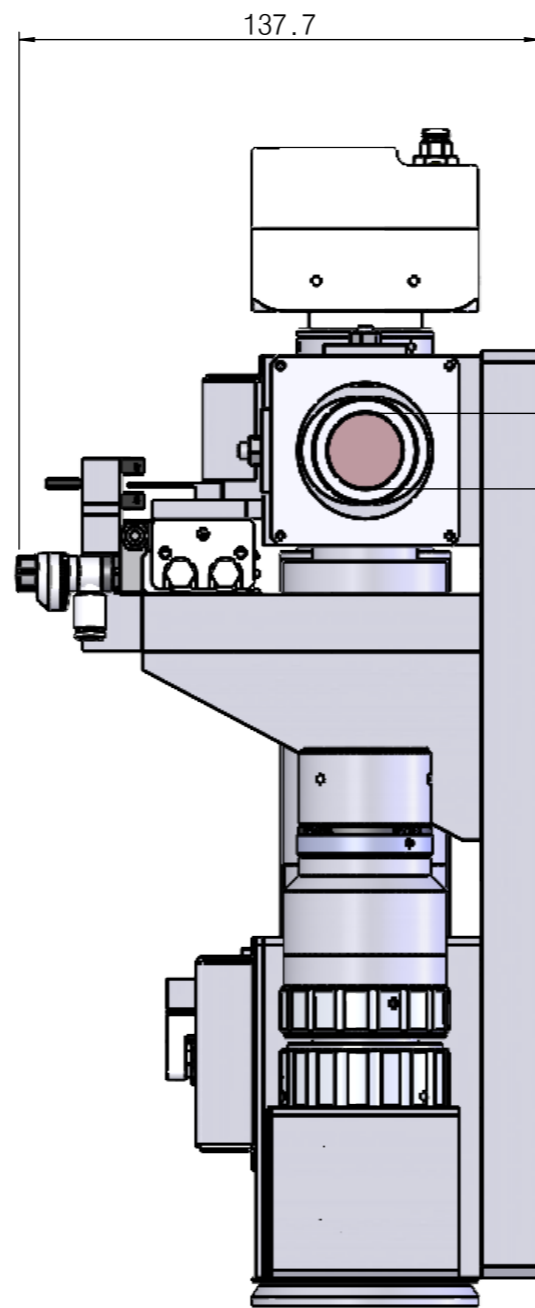
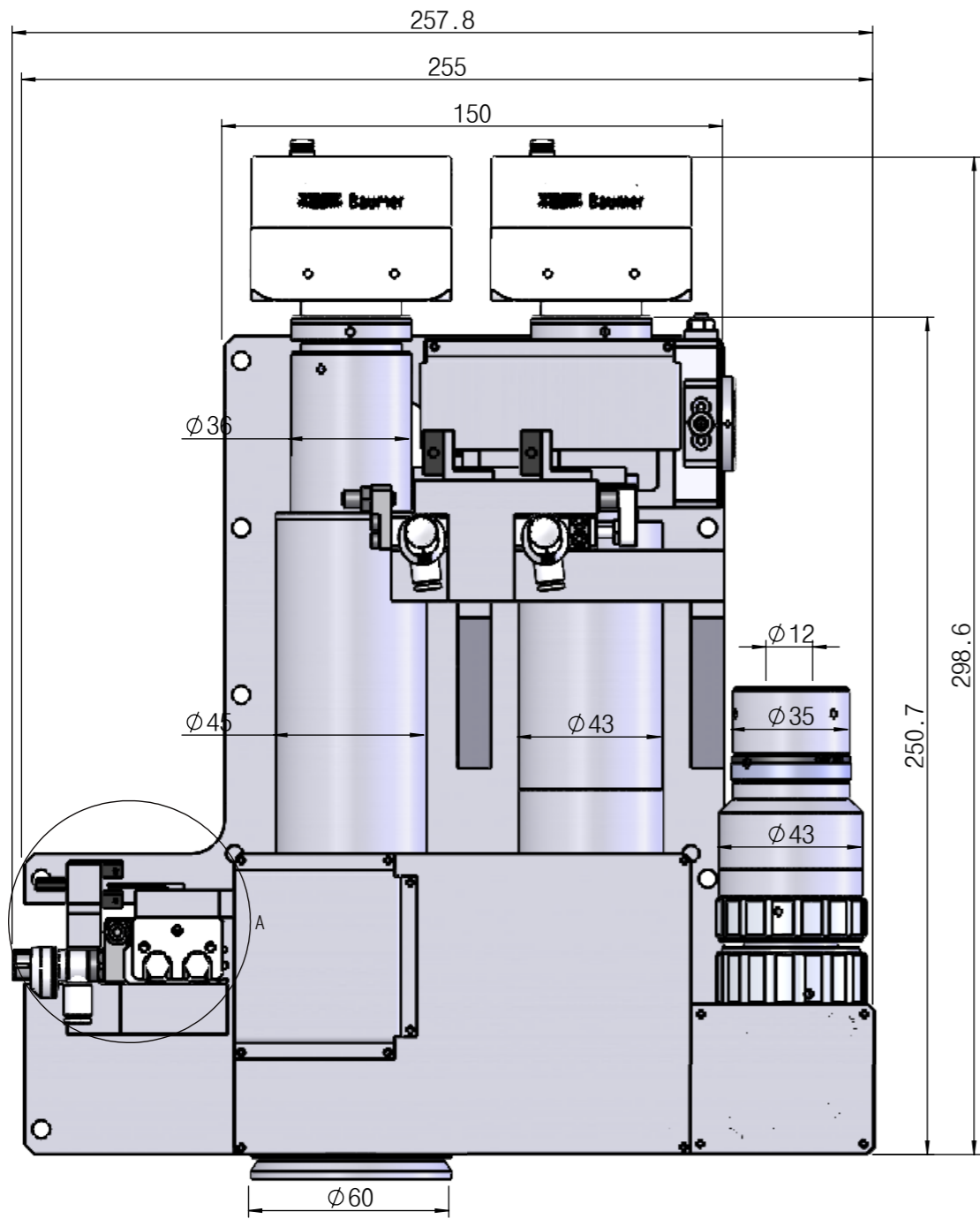


본 도면은 리스광시스템(주)의 자산이므로 허가없이 복제 및 외부 반출을 금함.  
This drawing and ideas are protected by LEES Optical System, Inc.



상세 A  
축척 1 : 1

SCALE	ANGLE	DESIGNED BY	CHECKED BY	APPROVED BY	TITLE		
1:2					3PORT 광학계		
■ MM	□ INCH	<b>LEESOS</b> SINCE 1999			A19082-B000-R01		
0. ±0.1	0.0 ±0.04				DWG. NO	A19082-B000-R01	D17
0.0 ±0.05	0.00 ±0.02						
0.00 ±0.01	0.000 ±0.004						
0.000 ±0.002	0.0000 ±0.0002						