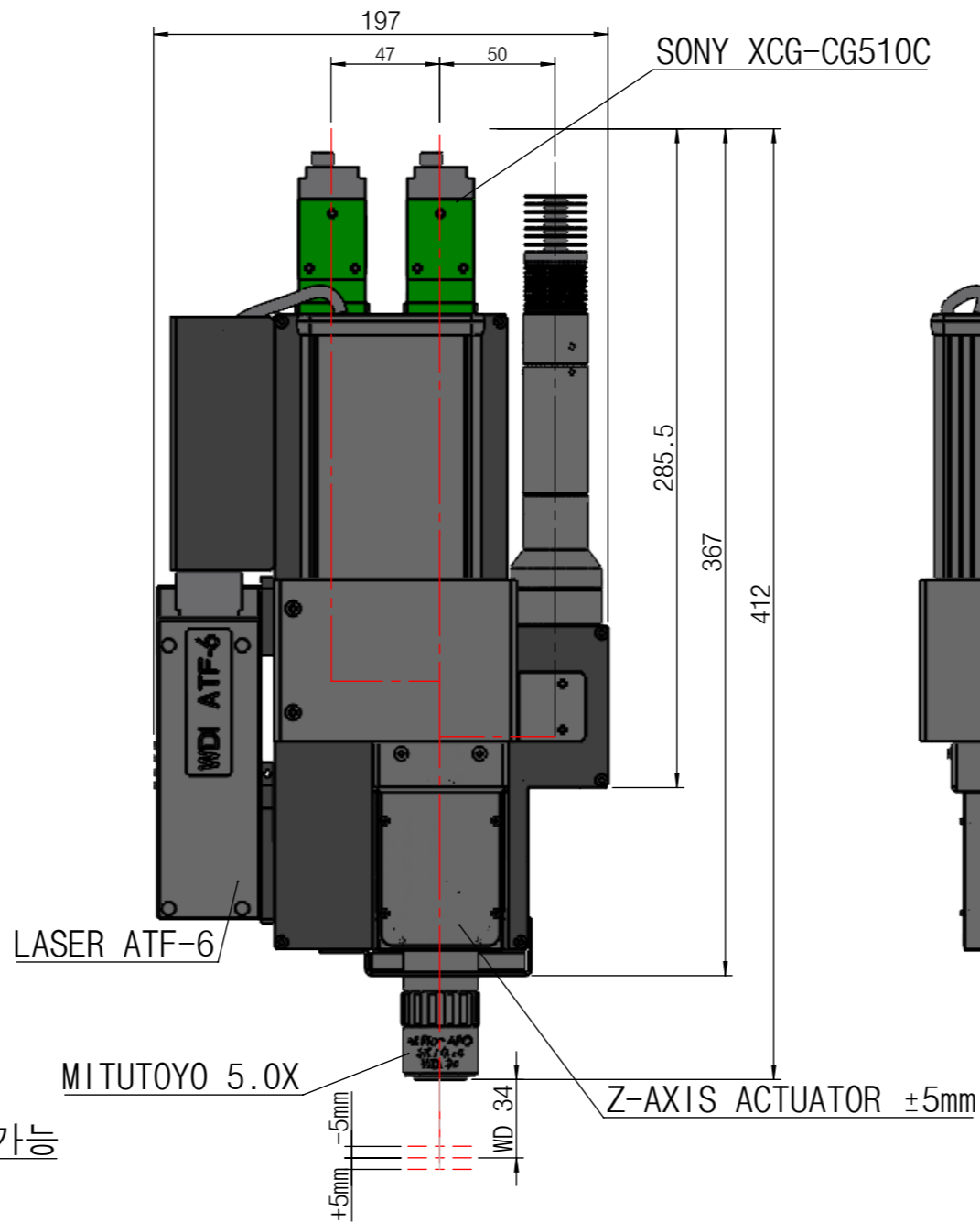


LASER ATF-6
10°~15° 회전 가능

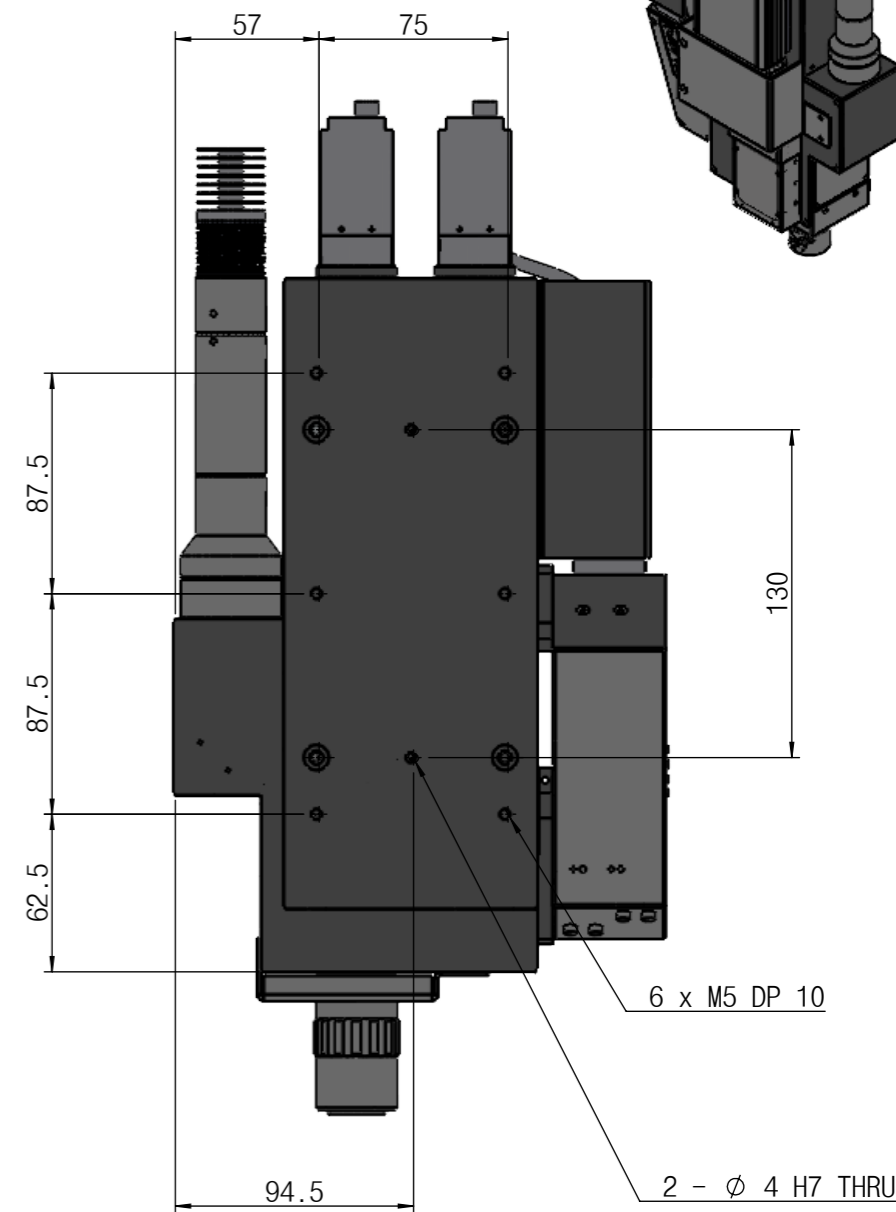
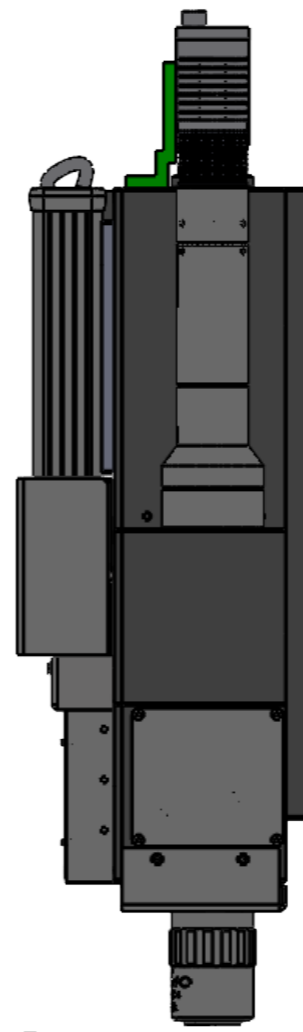


LASER ATF-6

MITUTOYO 5.0X

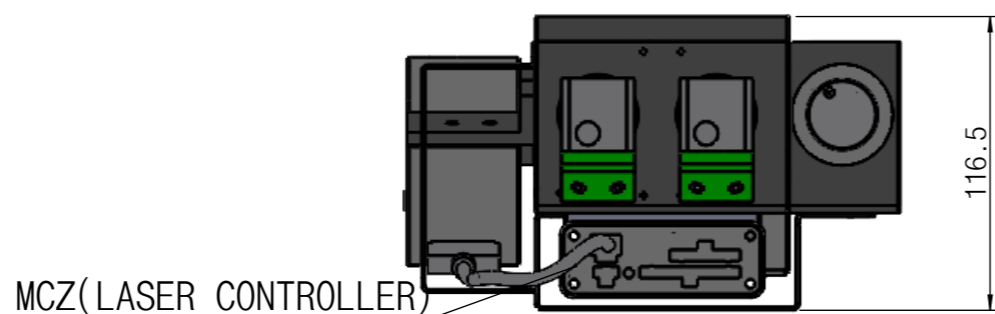
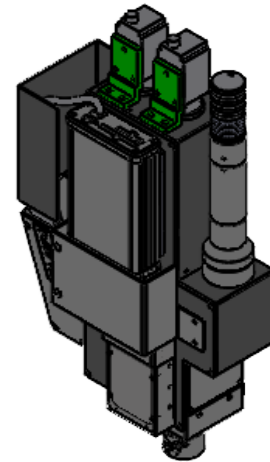
SONY XCG-CG510C

Z-AXIS ACTUATOR ±5mm



6 x M5 DP 10

2 - Ø 4 H7 THRU



MCZ (LASER CONTROLLER)

SCALE	ANGLE	DESIGNED BY	CHECKED BY	APPROVED BY	TITLE
1:3		이찬희			GLASS VIEW
MM	INCH	2020-01-21			A18035-B000-R01
0. ±0.1	0.0 ±0.04	 SINCE 1999			DWG. NO
0.0 ±0.05	0.00 ±0.02				A18035-B000-R01
0.00 ±0.01	0.000 ±0.004				
0.000 ±0.002	0.0000 ±0.0002				