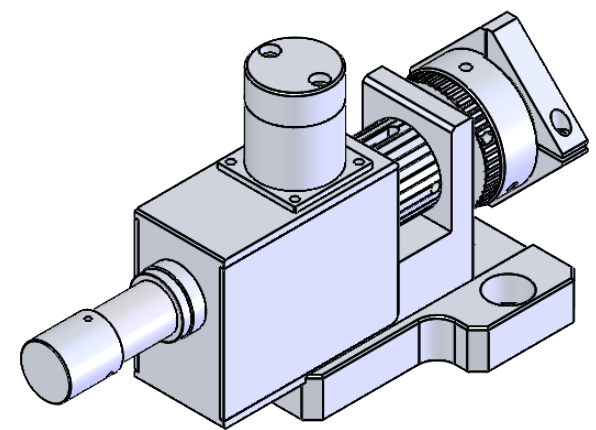
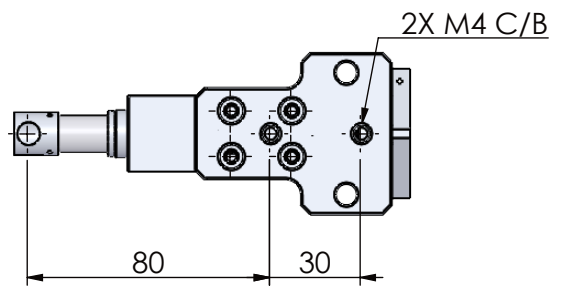
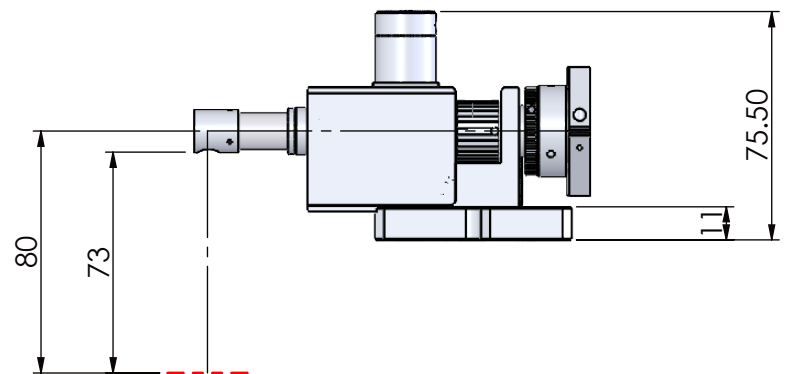
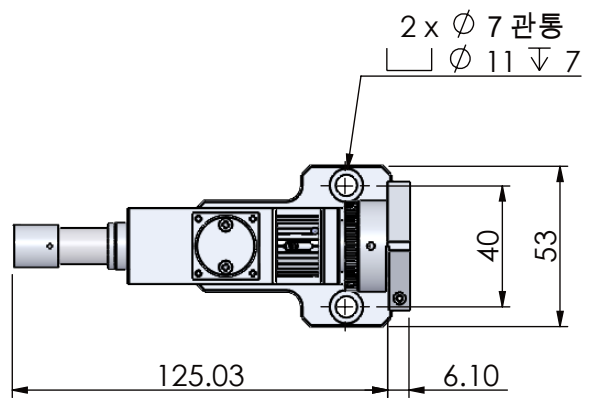


본 도면은 리스광시스템(주)의 자산이므로 허가없이 복제 및 외부 반출을 금함.
 This drawing and ideas are protected by LEES Optical System, Inc.

| | | | | |
|---------|---------------|------|-----------|---------|
| REV. NO | REVISION NOTE | DATE | SIGNATURE | CHECKED |
| △ | | | | |



| OPTICAL MAGNIFICATION | WD(mm) | DEPTH OF FIELD | RESOLUTION | NA | PARAXIAL WORKING F/# | F. O. V | MOUNT | SCALE | ANGLE | DESIGNED BY | CHECKED BY | APPROVED BY | TITLE |
|-----------------------|--------|----------------|-------------|-------|----------------------|--|---------|--|---|----------------|------------|----------------|-------------------|
| | | | | | | | | 1:2.5 | | | | | |
| 2.5X | 73 | ± 0.178 mm | 7.5 μ m | 0.045 | 25.9 | H2.5 X V1.9(1/2") H1.9 X V1.4(1/3") | C-MOUNT | ■ MM 0. \pm 0.1 0.0 \pm 0.05 0.00 \pm 0.01 0.000 \pm 0.002 | □ INCH 0.0 \pm 0.04 0.00 \pm 0.02 0.000 \pm 0.004 0.0000 \pm 0.0002 | SINCE 1999 | | | MMVLS SERIES SPEC |
| | | | | | | | | | | | | | MMVLS 80D-P2.5-FF |
| | | | | | | | | | | | DWG. NO | PAU2.5X-80-005 | |