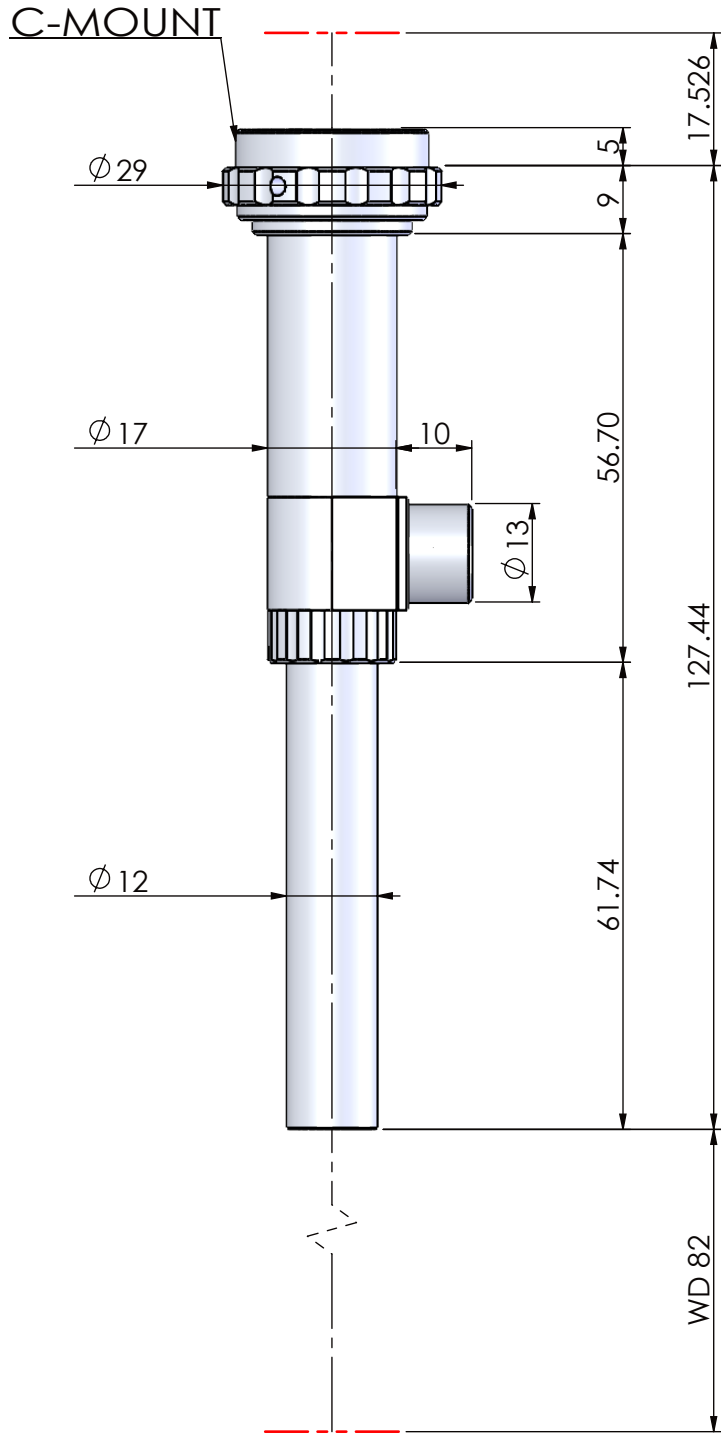


본 도면은 리스광시스템(주)의 자산이므로 허가없이 복제 및 외부 반출을 금함.
 This drawing and ideas are protected by LEES Optical System, Inc.



OPTICAL MAGNIFICATION	WD(mm)	DEPTH OF FIELD	RESOLUTION	NA	PARAXIAL WORKING F/#	F.O.V.	MOUNT
3.0X	82	±0.148 mm	7.5um	0.045	33	H2.1 X V1.6(1/2") H1.6 X V1.2(1/3")	C-MOUNT

CORPORATE NAME		MODEL (ON/COAXIAL)		SCALE
 SINCE 1999		TITLE		1:1
		MMVLS 80 SERIES		DIMENSIONS
		MMVLS 80-3.0X		mm