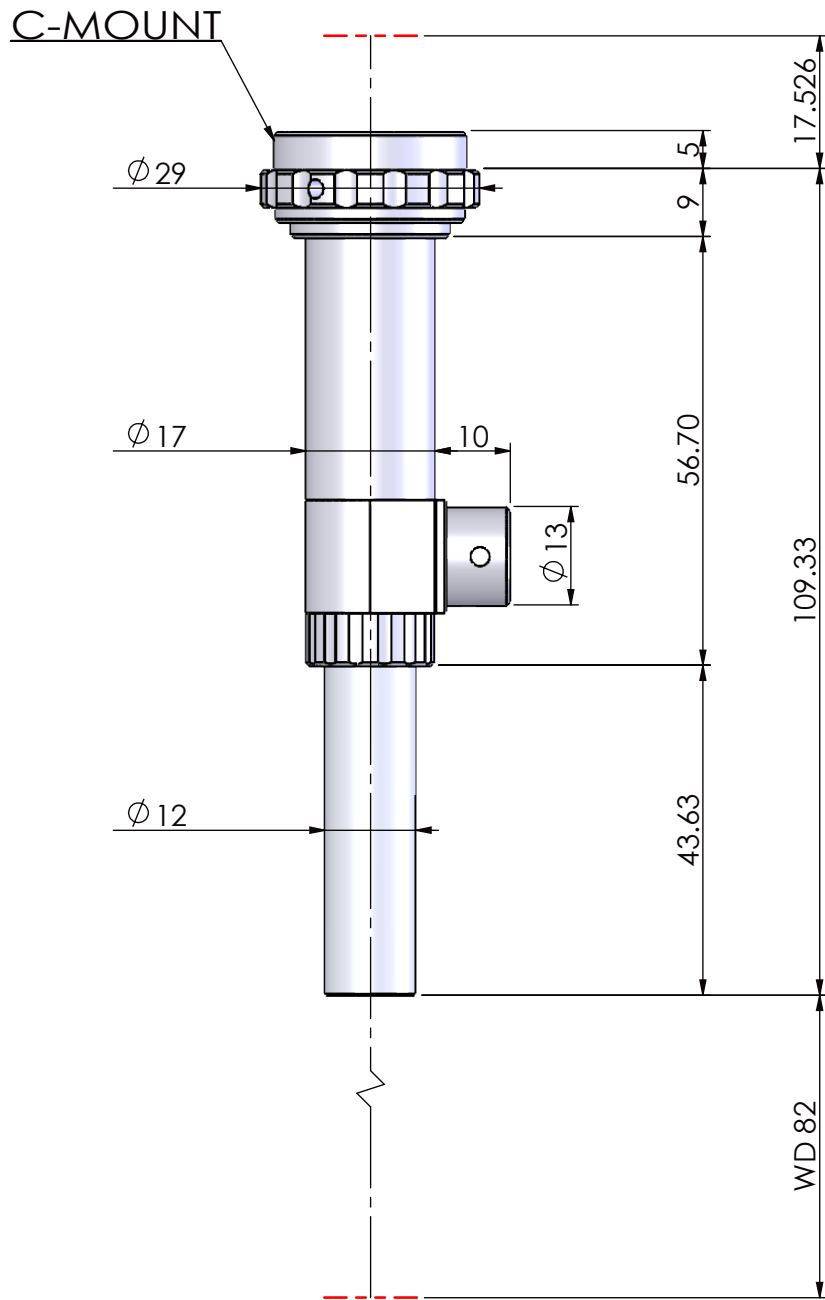


본 도면은 리스광시스템(주)의 자산이므로 허가없이 복제 및 외부 반출을 금함.
 This drawing and ideas are protected by LEES Optical System, Inc.



OPTICAL MAGNIFICATION	WD(mm)	DEPTH OF FIELD	RESOLUTION	NA	PARAXIAL WORKING F/#	F.O.V.	MOUNT
2.5X	77(82)	±0.178 mm	7.5um	0.045	25.9	H2.5 X V1.9(1/2") H1.9 X V1.4(1/3")	C-MOUNT

CORPORATE NAME	MODEL (ON/COAXIAL)	SCALE
	TITLE	1:1
	MMVLS 80 SERIES	DIMENSIONS
	MMVLS 80D-2.5X	mm