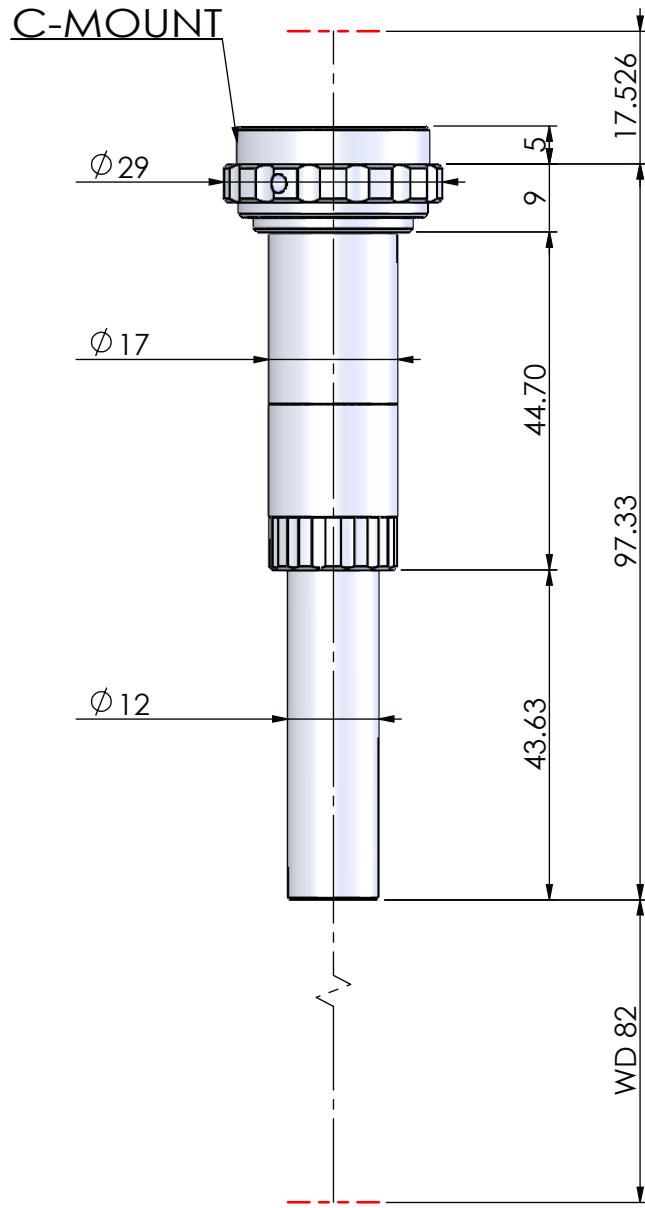


본 도면은 리스광시스템(주)의 자산이므로 허가없이 복제 및 외부 반출을 금함.
 This drawing and ideas are protected by LEES Optical System, Inc.



OPTICAL MAGNIFICATION	WD(mm)	DEPTH OF FIELD	RESOLUTION	NA	PARAXIAL WORKING F/#	F.O.V.	MOUNT
2.0X	82	±0.222 mm	7.5um	0.045	21.5	H3.2 X V2.3(1/2") H2.4 X V1.8(1/3")	C-MOUNT

CORPORATE NAME	MODEL (ON/COAXIAL)	SCALE
	TITLE	1:1
	MMVLS 80 SERIES	DIMENSIONS
	MMVLS 80-2.0X	mm