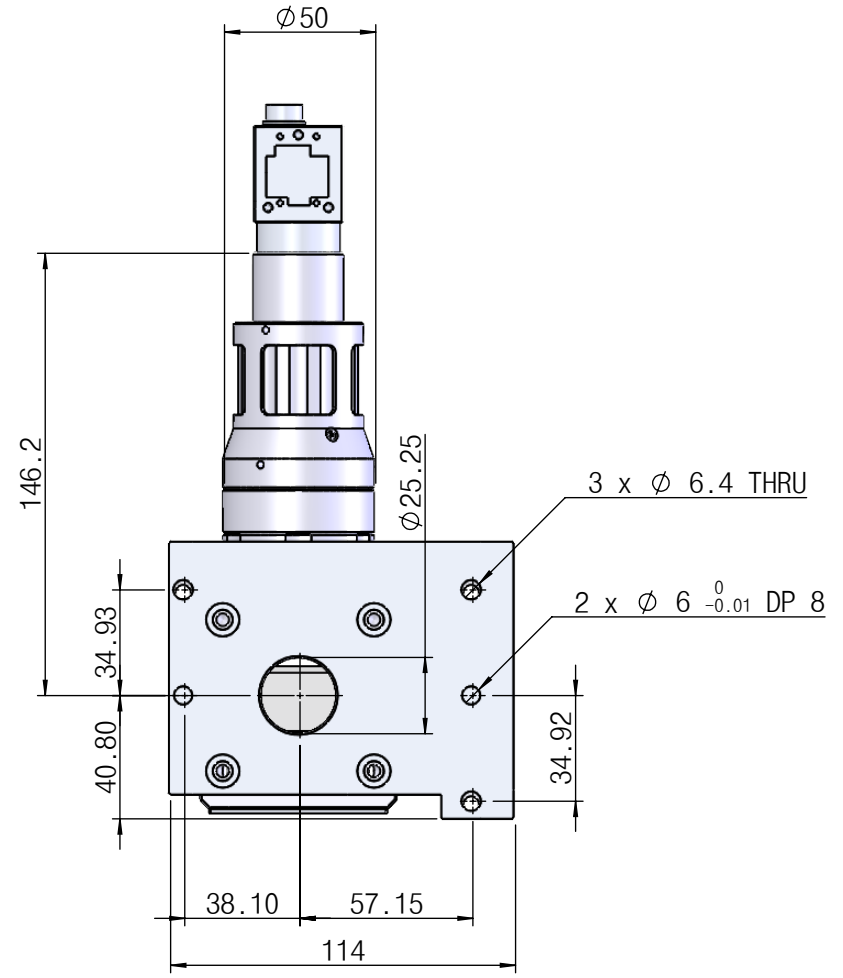
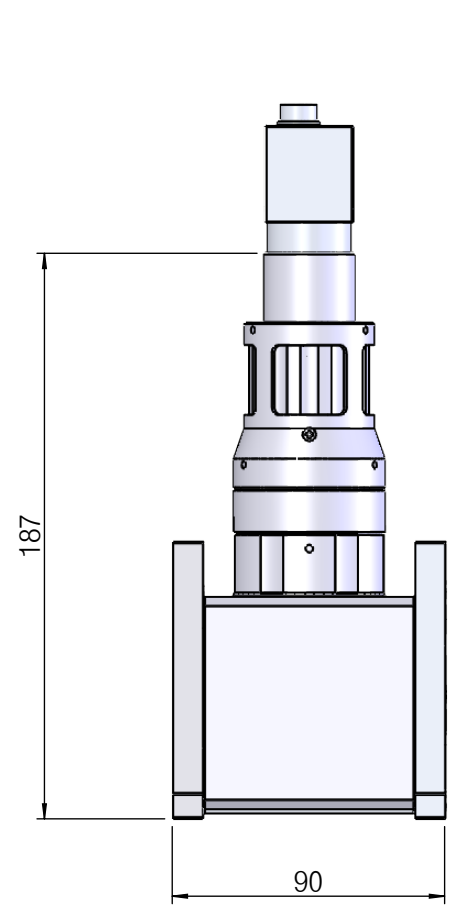


REV. NO	REVISION NOTE	DATE	SIGNATURE	CHECKED
△				

본 도면은 리스광시스템(주)의 자산이므로 허가없이 복제 및 외부 반출을 금함.  
 This drawing and ideas are protected by LEES Optical System, Inc.



4

OPTICAL MAGNIFICATION	WD(mm)	DEPTH OF FIELD	RESOLUTION	NA	PARAXIAL WORKING F/#	F.O.V	MOUNT	SCALE	ANGLE	DESIGNED BY	CHECKED BY	APPROVED BY	TITLE	
								1:2.5		진재곤				355nm CAMERA ADAPTER
			um				C-MOUNT	■ MM 0. ±0.1 0.0 ±0.05 0.00 ±0.01 0.000 ±0.002	□ INCH 0.0 ±0.04 0.00 ±0.02 0.000 ±0.004 0.0000 ±0.0002	2017-05-09			LP17013	
													DWG. NO	LP17013-A000-R01