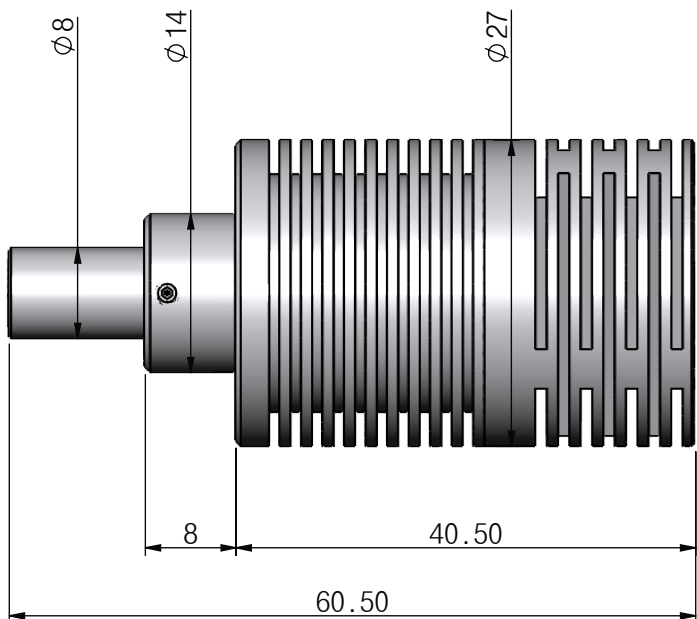
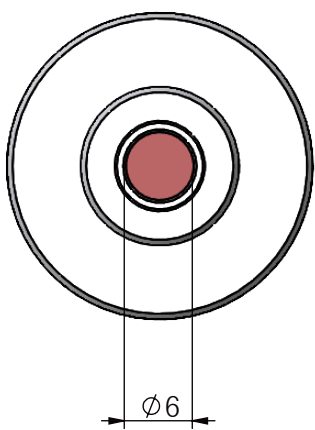
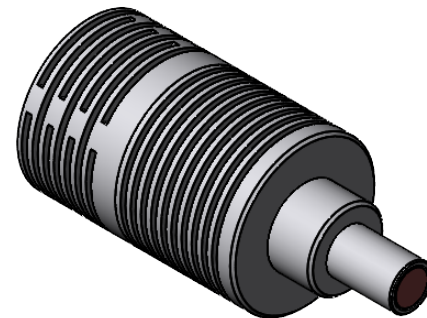


|         |               |      |           |         |
|---------|---------------|------|-----------|---------|
| REV. NO | REVISION NOTE | DATE | SIGNATURE | CHECKED |
| △       |               |      |           |         |



본 도면은 리스광시스템(주)의 자산이므로 허가없이 복제 및 외부 반출을 금함.  
 This drawing and ideas are protected by LEES Optical System, Inc.

4

|      |       |                |       |  |   |                             |            |             |                               |                      |
|------|-------|----------------|-------|--|---|-----------------------------|------------|-------------|-------------------------------|----------------------|
| TYPE | MODEL | WAVELENGTH(nm) | POWER | SCALE  | ANGLE   | DESIGNED BY                 | CHECKED BY | APPROVED BY | TITLE                         |                      |
|      | ST    | VHLP3-ST-1R    | 3W    | 1.5:1  |   |                             |            |             | HIGH INTENSITY LED SPOTLIGHTS |                      |
|      |       |                |       | MM   | INCH  | <b>LEESOS</b><br>SINCE 1999 |            |             | DWG. NO                       | L0S-P3ST0711-R01-M00 |
|      |       |                |       | 0. ±0.1<br>0.0 ±0.05<br>0.00 ±0.01<br>0.000 ±0.002 | 0.0 ±0.04<br>0.00 ±0.02<br>0.000 ±0.004<br>0.0000 ±0.0002 |                             |            |             | VHLP3-ST-1R                   |                      |