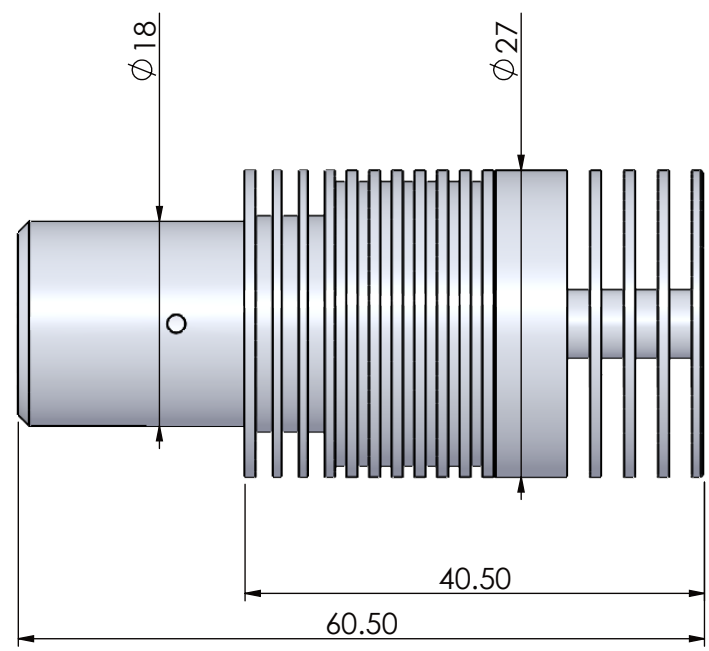
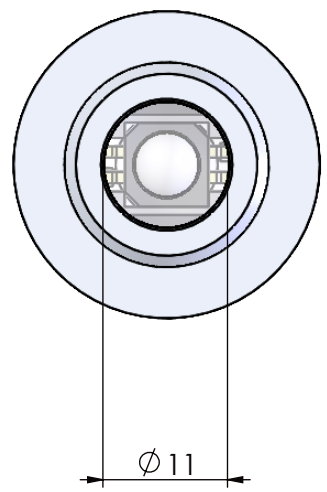
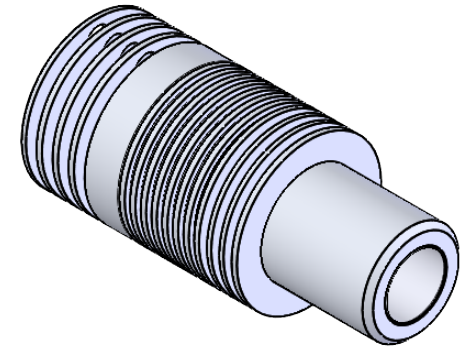


REV. NO	REVISION NOTE	DATE	SIGNATURE	CHECKED
△				



본 도면은 리스광시스템(주)의 자산이므로 허가없이 복제 및 외부 반출을 금함.
 This drawing and ideas are protected by LEES Optical System, Inc.

4

TYPE	MODEL	COLOR	POWER	SCALE	ANGLE	DESIGNED BY	CHECKED BY	APPROVED BY	TITLE	
	HS	VHLP3-HS-Color	3W	1.5:1					HIGH INTENSITY LED SPOTLIGHTS	
				MM	INCH	LEESOS SINCE 1999			VHLP3-HS-COLOR	
				0. ± 0.1 0.0 ± 0.05 0.00 ± 0.01 0.000 ± 0.002	0.0 ± 0.04 0.00 ± 0.02 0.000 ± 0.004 0.0000 ± 0.0002				DWG. NO	LOS-SNPLL0709-R02-00