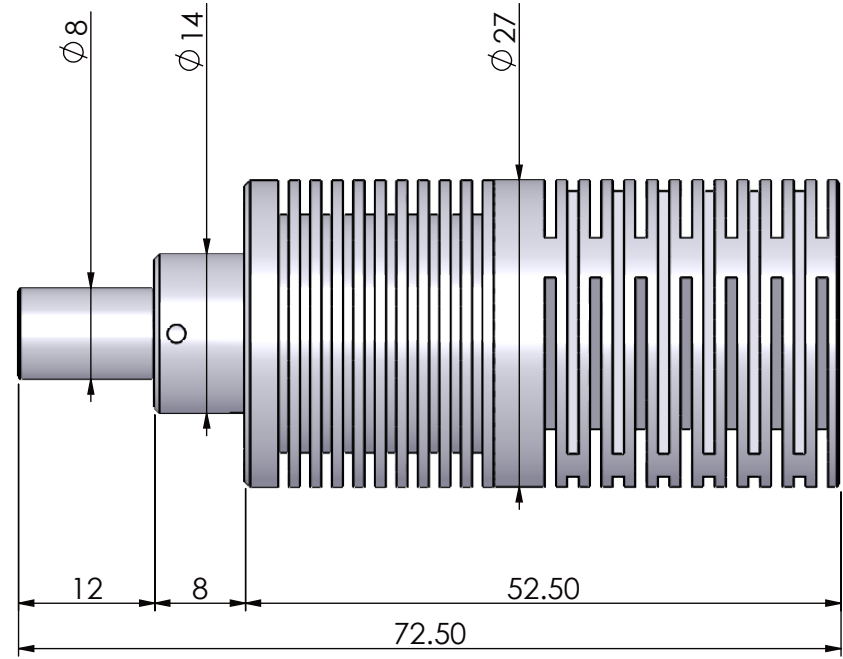
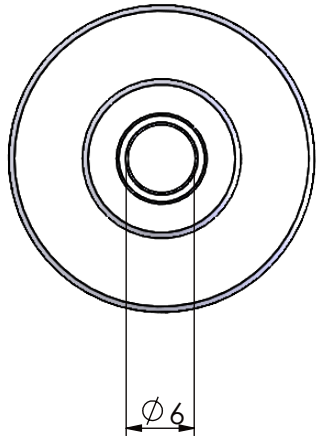
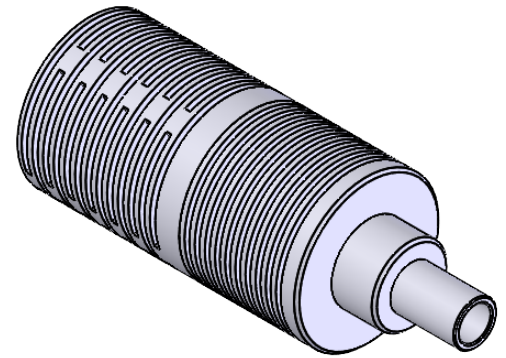


REV. NO	REVISION NOTE	DATE	SIGNATURE	CHECKED
△				



본 도면은 리스광시스템(주)의 자산이므로 허가없이 복제 및 외부 반출을 금함.
This drawing and ideas are protected by LEES Optical System, Inc.

4

TYPE	MODEL	COLOR	POWER	SCALE	ANGLE	DESIGNED BY	CHECKED BY	APPROVED BY	TITLE	
				1.5:1					HIGH INTENSITY LED SPOTLIGHTS	
BP	VHLP3-BP-Color	WH/RD/GR/BL	3W	MM	INCH	 SINCE 1999			VHLP3-BP-COLOR	
				0. ±0.1 0.0 ±0.05 0.00 ±0.01 0.000 ±0.002	0.0 ±0.04 0.00 ±0.02 0.000 ±0.004 0.0000 ±0.0002				DWG. NO	LOS-P3ST0711-R01-00