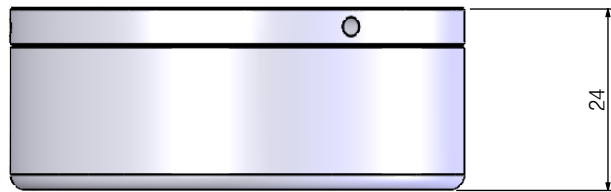
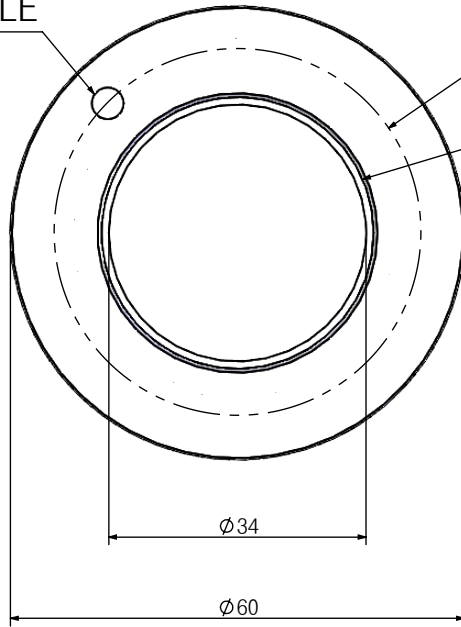


∅ 4.20 THRU 배선 HOLE


PCD ∅ 48.5

∅ 36 ▽ 20



본 도면은 리스광시스템(주)의 자산이므로 허가없이 복제 및 외부 반출을 금함.
This drawing and ideas are protected by LEES Optical System, Inc.

Series	Model	Color
RDL (Diffusing Type)	RDL-E60I36-Color	WH/RD/GR/BL

CORPORATE NAME	MODEL (ON/COAXIAL)	SCALE
 SINCE 1999	TITLE	1:1
	RING RIGHTS	DIMENSIONS
	RDL-E60I36-COLOR	mm