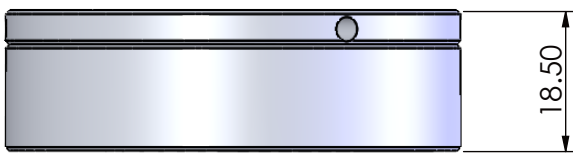
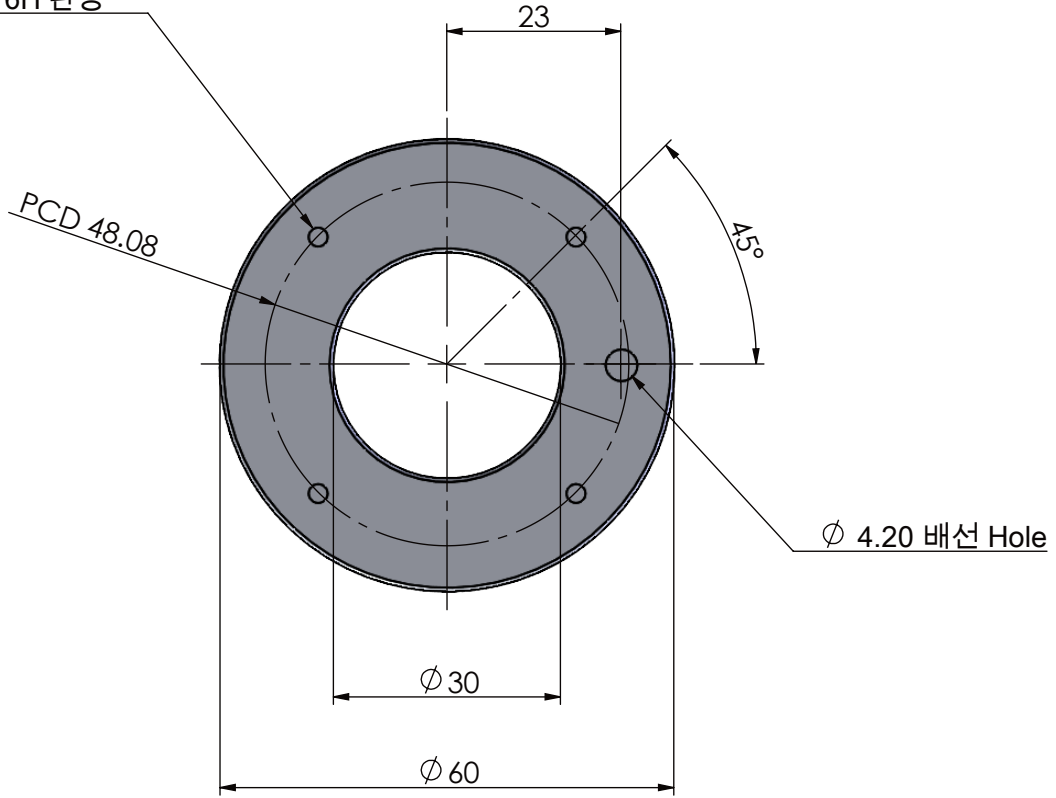



4 x  $\phi$  2.50 관통  
M3 - 6H 관통



본 도면은 리스광시스템(주)의 자산이므로 허가없이 복제 및 외부 반출을 금함.  
This drawing and ideas are protected by LEES Optical System, Inc.

Series	Model	Color
RDAL (Diffusing&Angle Type)	RDAL-E60I30-Color	WH/RD/GR/BL

CORPORATE NAME	MODEL (ON/COAXIAL)	SCALE
 <b>SINCE 1999</b>	TITLE	1:1
	RING LIGHTS	DIMENSIONS
	RDAL-E60I30-COLOR	mm