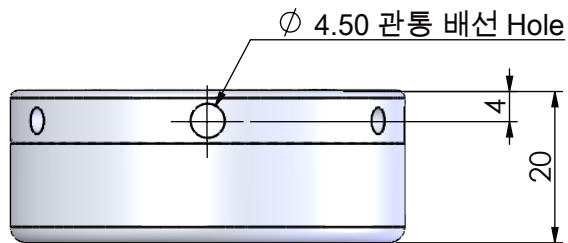
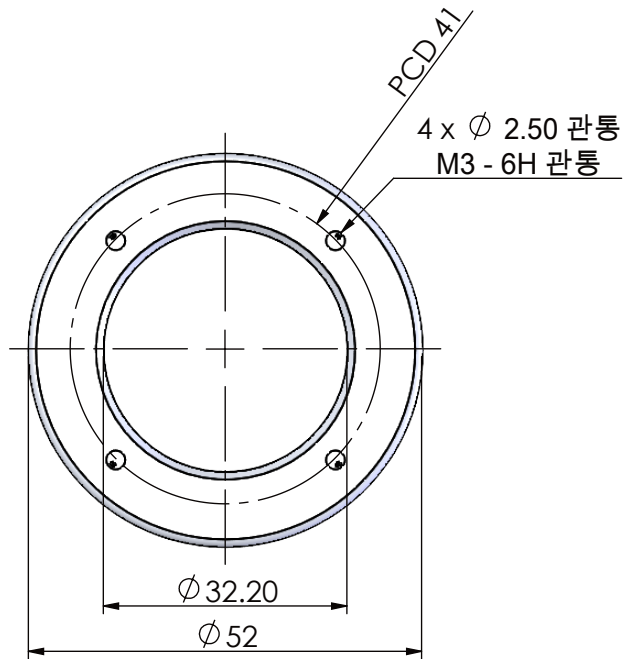


본 도면은 리스광시스템(주)의 자산이므로 허가없이 복제 및 외부 반출을 금함.
 This drawing and ideas are protected by LEES Optical System, Inc.



Series	Model	Color
RDAL (Diffusing&Angle Type)	RDAL-E52I32-Color	WH/RD/GR/BL

CORPORATE NAME	MODEL (ON/COAXIAL)	SCALE
	TITLE	1:1
	MITUTOYO M PLAN APO 5X용 RING조명	DIMENSIONS
		mm