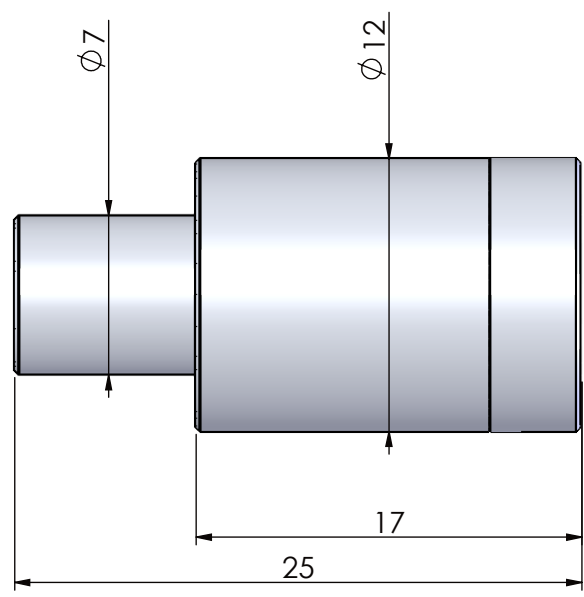
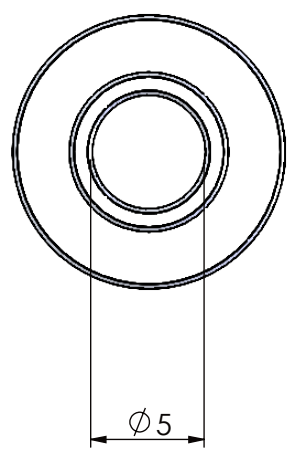
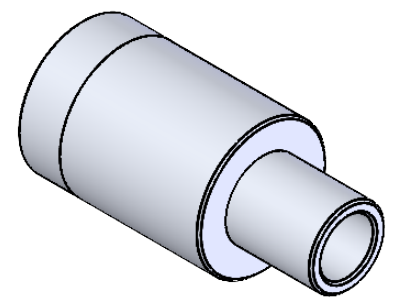


REV. NO	REVISION NOTE	DATE	SIGNATURE	CHECKED
△				



본 도면은 리스광시스템(주)의 자산이므로 허가없이 복제 및 외부 반출을 금함.
 This drawing and ideas are protected by LEES Optical System, Inc.

4

TYPE	MODEL	COLOR	POWER	SCALE	ANGLE	DESIGNED BY	CHECKED BY	APPROVED BY	TITLE
	ST	LP02-ST-07-Color	WH/RD/GR/BL	0.04W-0.1W	3:1				LP11038
				<input checked="" type="checkbox"/> MM <input type="checkbox"/> INCH	<input checked="" type="checkbox"/> 0.0 ±0.04 <input type="checkbox"/> 0.00 ±0.02 <input type="checkbox"/> 0.000 ±0.004 <input type="checkbox"/> 0.0000 ±0.0002				VOS TECH
									DWG. NO