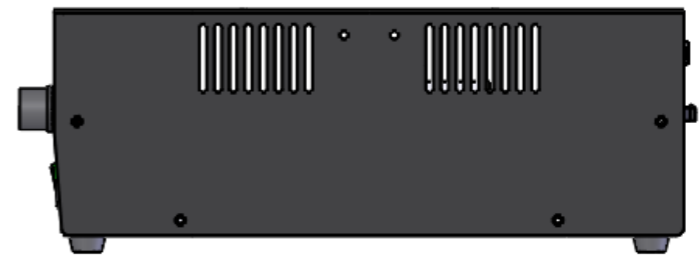
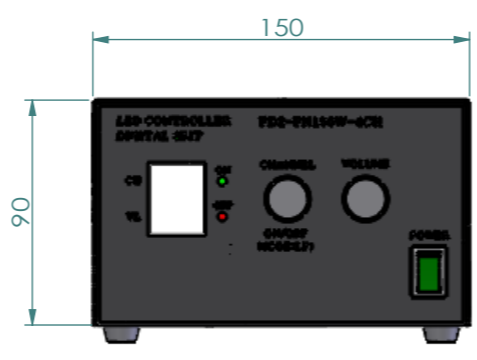
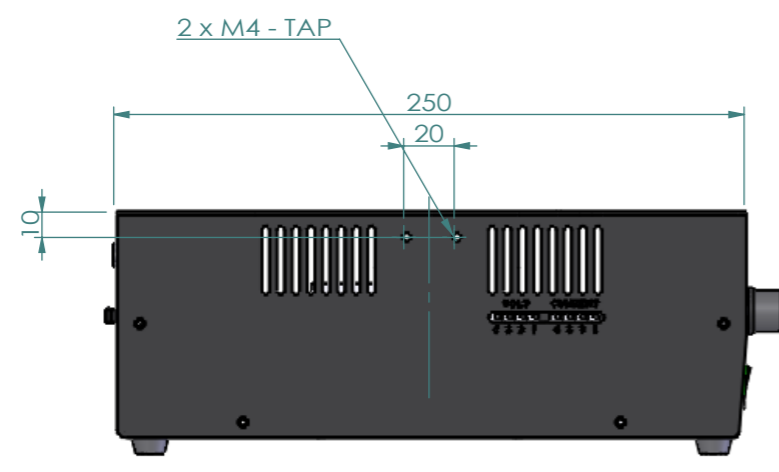
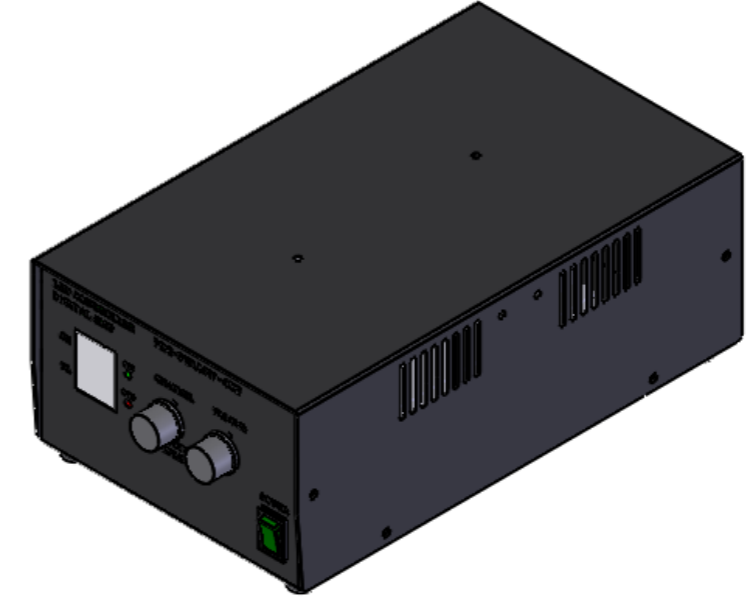
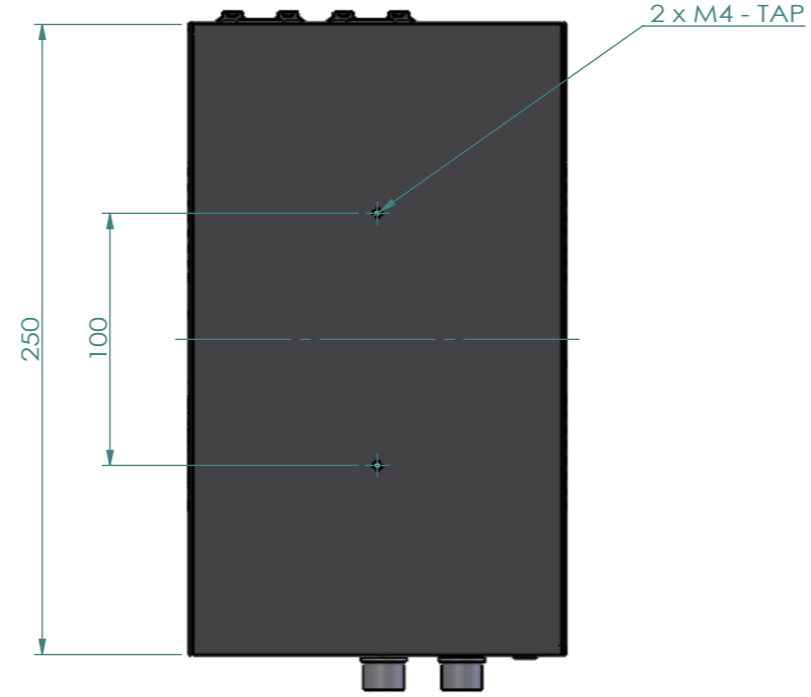


| Rev.No | Revision note | Date | Signature | Checked |
|--------|---------------|------|-----------|---------|
| △ | | | | |



| DESCRIPTION | | MAT'L | Q'TY | HEAT TREAT | DIMENSIONS | FINISH | REMARK |
|--------------|----------------|-------------|------------|-------------|--------------------|-------------------------|--------|
| Scale | Angle | Designed by | Checked by | Approved by | TITLE | | |
| 1:3 | | 최환용 | | | DIMENSION | | |
| ■ MM | □ INCH | | | | PD2-FN150W-4CH(3P) | | |
| 0. ±0.1 | 0.0 ±0.04 | | | | DWG. NO | PD2-FN150W-4CH(3P)-AS01 | |
| 0.0 ±0.05 | 0.00 ±0.02 | | | | | | |
| 0.00 ±0.01 | 0.000 ±0.004 | | | | | | |
| 0.000 ±0.002 | 0.0000 ±0.0002 | | | | | | |