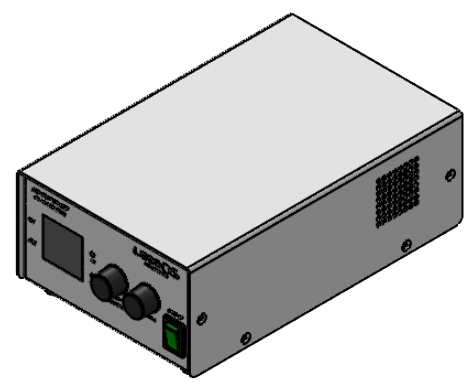
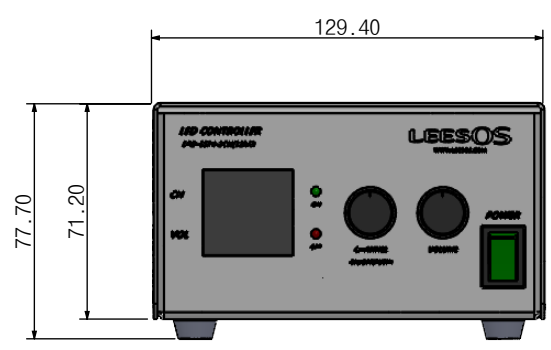
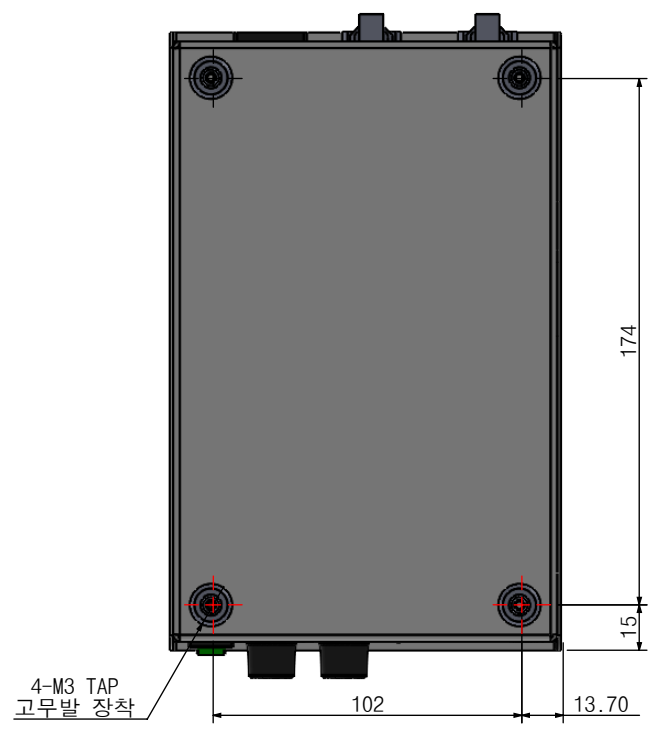
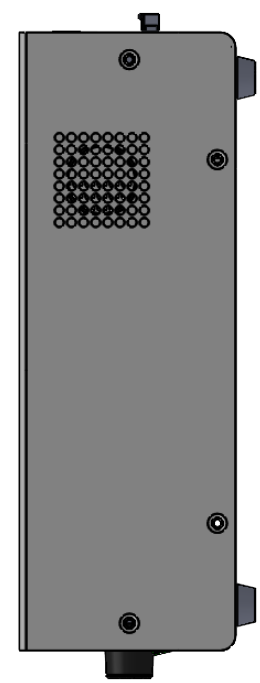
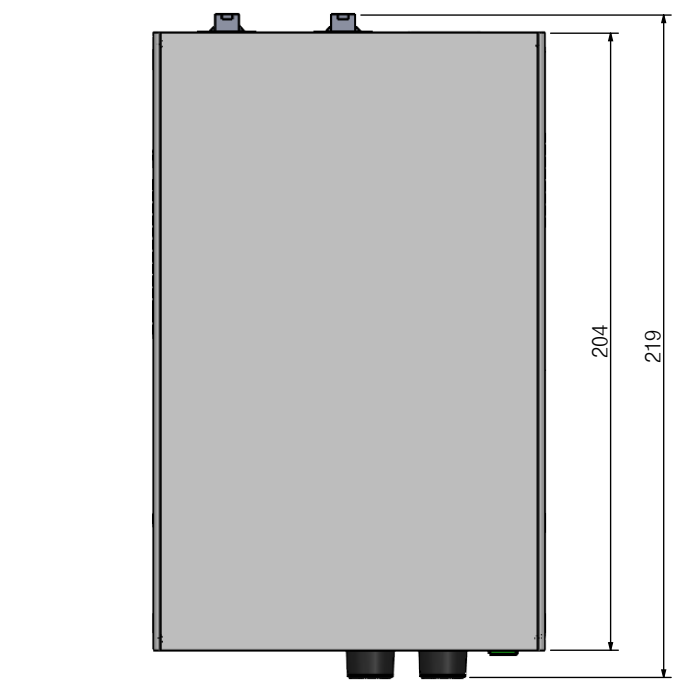


REV. NO	REVISION NOTE	DATE	SIGNATURE	CHECKED
△				

본 도면은 리스광시스템(주)의 자산이므로 허가없이 복제 및 외부 반출을 금함.
 This drawing and ideas are protected by LEES Optical System, Inc.



4

Channel	Maximum Power	Brightness	Control Mode	SCALE	ANGLE	DESIGNED BY	CHECKED BY	APPROVED BY	TITLE 12-BIT CONTROLLER(2CH)
				1:2.5					
2 Channel	240 VA	0-4095 Step Volume Control (12bit Control)	RS-232 Communication Control & I/O Control	MM	INCH				DWG. NO A19017-A000-R01(2CH)
				0. ±0.1 0.0 ±0.05 0.00 ±0.01 0.000 ±0.002	0.0 ±0.04 0.00 ±0.02 0.000 ±0.004 0.0000 ±0.0002				