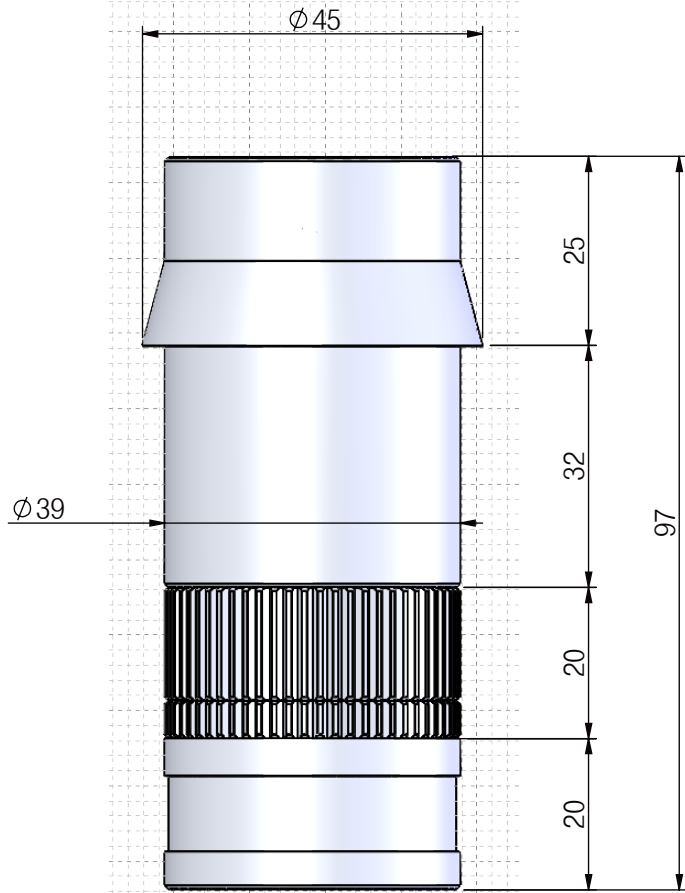



본 도면은 리스광시스템(주)의 자산이므로 허가없이 복제 및 외부 반출을 금함.  
 This drawing and ideas are protected by LEES Optical System, Inc.



TUBE MAGNIFICATION	EFFECTIVE FOCAL LENGTH	NA	F/Number	Optical Maximum Distortion	Sensor Size
1.5X	300mm	0.02	25	<0.05%	8mm

CORPORATE NAME	MODEL: (ON/COAXIAL)	Scale
 <b>SINCE 1999</b>	TITLE	1:1
	PARFOCAL TUBE LENS	Dimensions
	ST-N300-150	mm