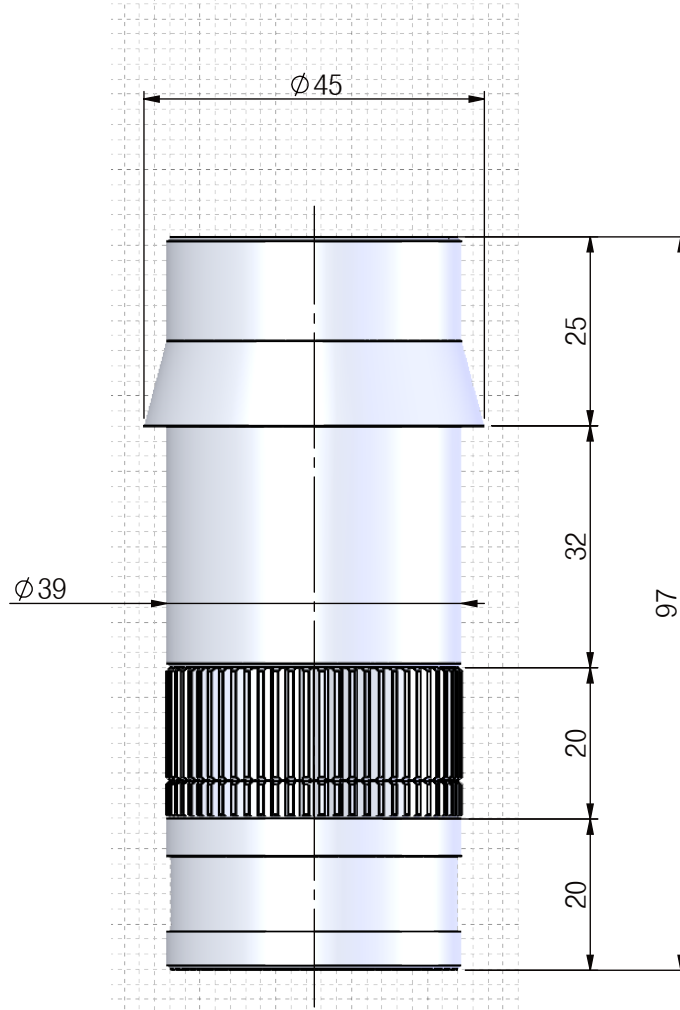


본 도면은 리스광시스템(주)의 자산이므로 허가없이 복제 및 외부 반출을 금함.
 This drawing and ideas are protected by LEES Optical System, Inc.



TUBE MAGNIFICATION	EFFECTIVE FOCAL LENGTH	NA	F/Number	Optical Maximum Distortion	Sensor Size
0.75X	150mm	0.039	12.5	<0.05%	8mm

CORPORATE NAME	MODEL: (ON/COAXIAL)	Scale
	TITLE	1:1
	PARFOCAL TUBE LENS	Dimensions
	ST-N150-075	mm